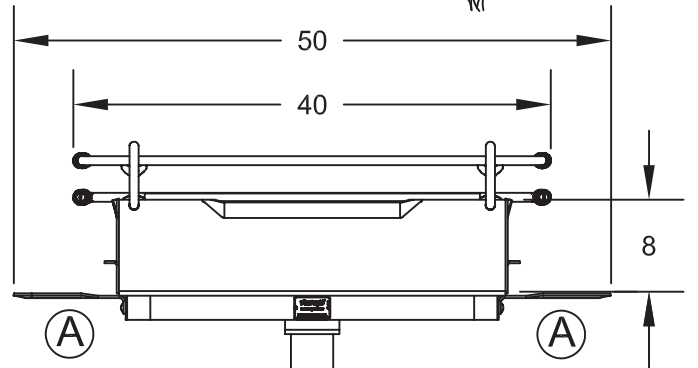
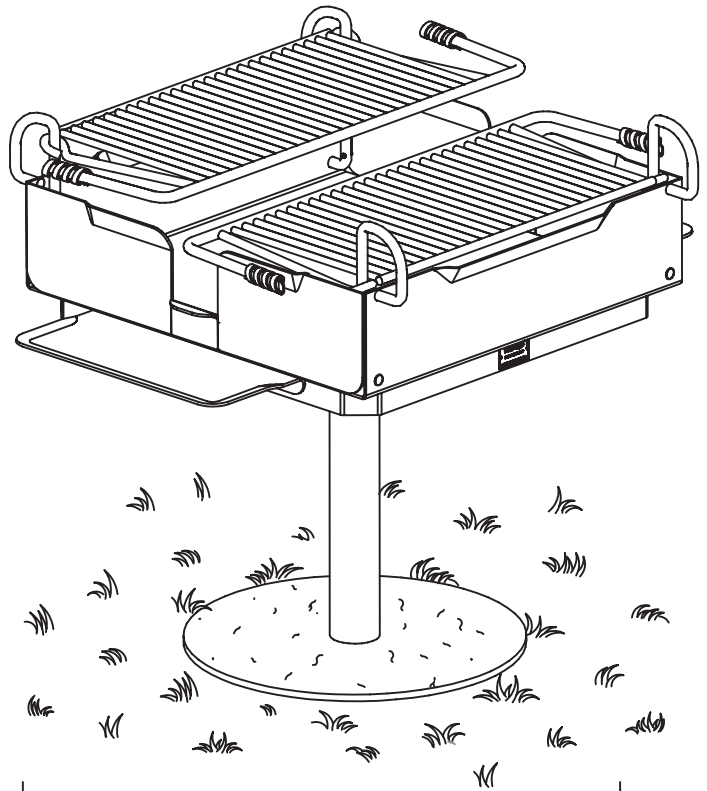
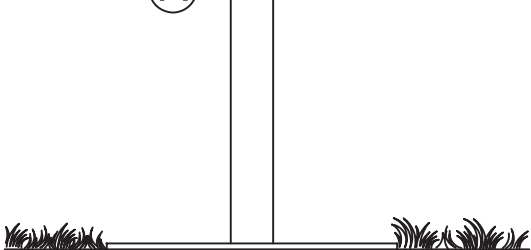
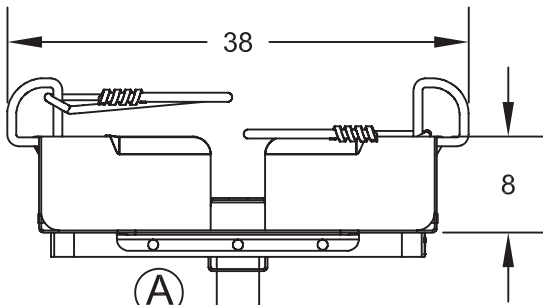
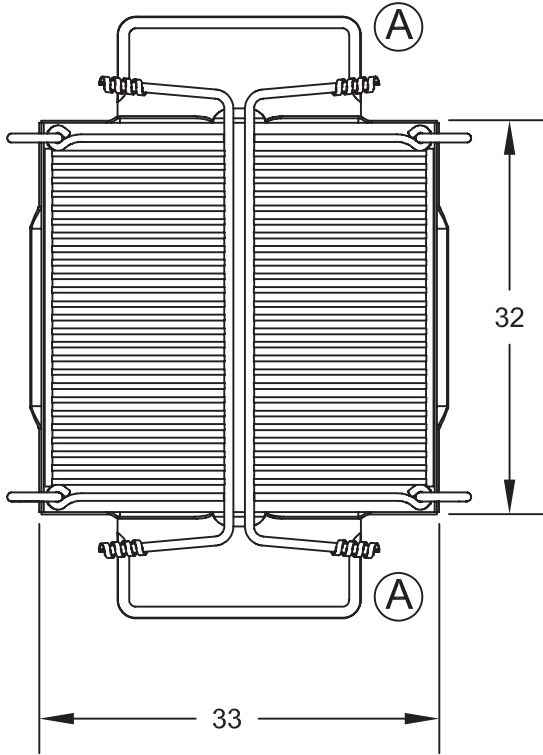
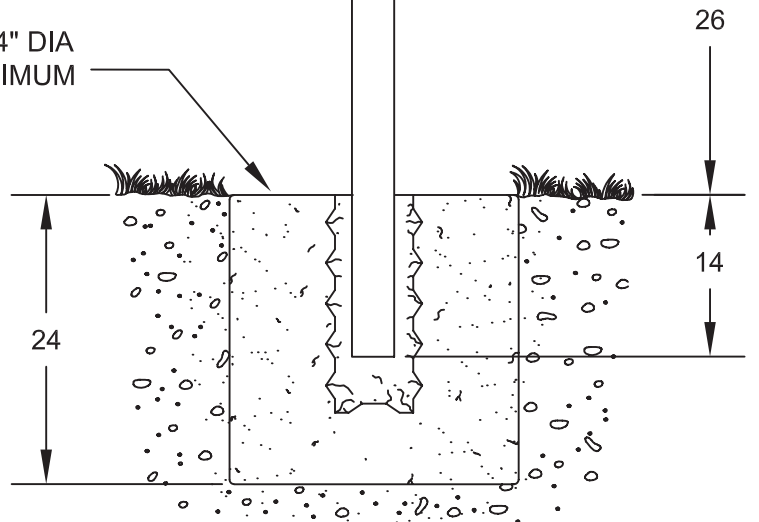


(A) OPTIONAL UTILITY SHELVES - ADD /S OR /SS TO MODEL NO. FOR ONE OR TWO SHELVES



24" DIA MINIMUM



NOTE:
LOCAL SOIL CONDITIONS MAY
REQUIRE A LARGER FOOTING

ALL DIMENSIONS IN INCHES



TITLE D2-48 PARK GRILL SHOWN WITH B2 BASE
& OPTIONAL UTILITY SHELVES

DRAWN BY JCT

DATE 06/29/00

Specification Bulletin SPC-GR-004

DWG. NO. AI-1016-A