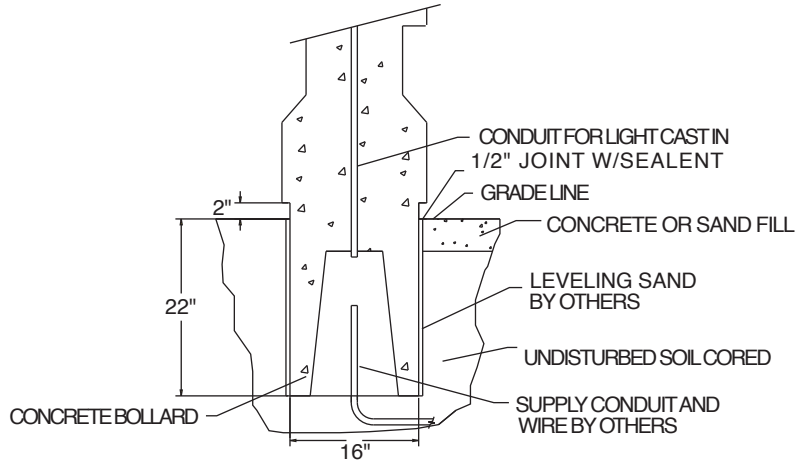
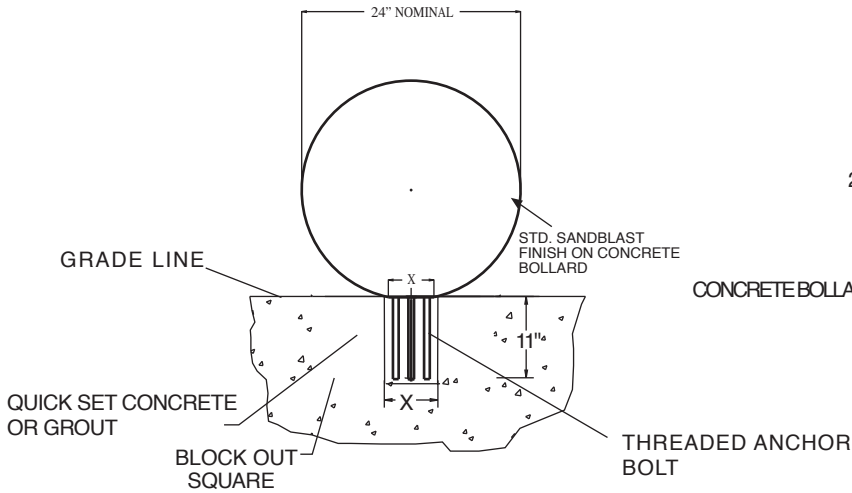


**ANCHOR STYLE C**

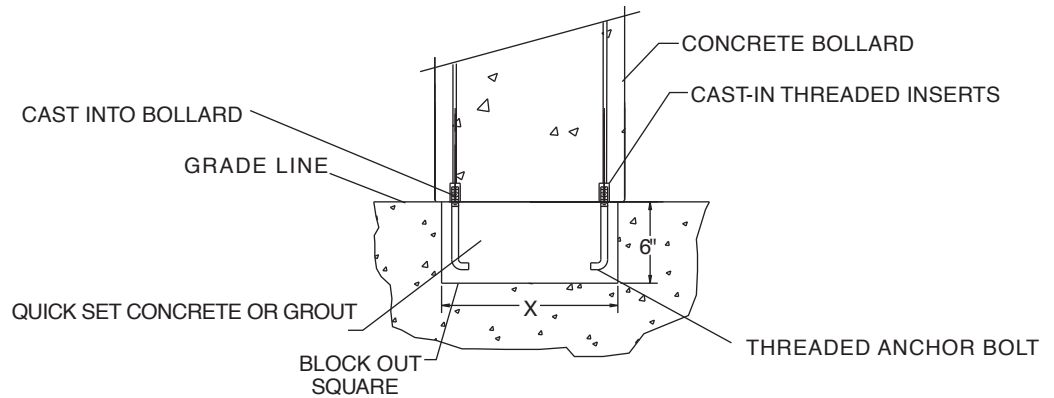


**SPHERE BOLLARD ANCHOR**



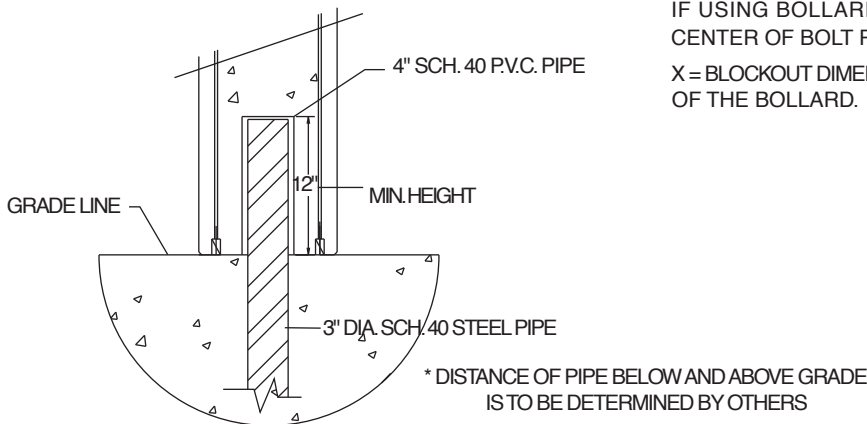
X = BLOCKOUT DIMENSION SHOULD BE 1/2" LESS THAN THE OUTSIDE OF THE SURFACE AREA TOUCHING THE GROUND.

**ANCHOR STYLE A**



NOTE: THIS TYPE ANCHORING IS NOT USED AS BARRICADE. IF USING BOLLARD WITH LIGHT, RUN CONDUIT THROUGH CENTER OF BOLT PATTERN AND STUB OUT.  
X = BLOCKOUT DIMENSION SHOULD BE 1/2" LESS THAN THE OUTSIDE OF THE BOLLARD.

**ANCHOR STYLE B**



NOTE: THIS TYPE ANCHORING IS ALSO USED AS A BARRICADE. BOLLARD HELD IN PLACE BY STEEL PIPE. STEEL PIPE MUST BE ANCHORED IN CONCRETE FOOTING.  
TYP. 12" DIA. CONCRETE BOLLARD SAME.  
ANCHORING SYSTEM USED ON 14" AND 18" DIA. OR SQ. BOLLARDS