

# Mechanism Removal

## Determine what kind of mechanism you are replacing:

Review the illustration to the right and determine if you have an "old" mechanism (prior to 2014) or a "new" mechanism (2014 or later).

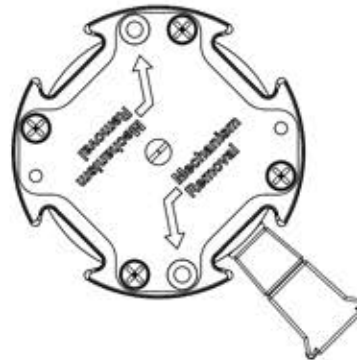
## Removing an "old" mechanism:

1. Remove the label. In older mechanisms, the label covers the screws that need to be removed in order to release the mechanism from the post. The label should peel off easily.
2. Remove the two Phillips head screws marked for "Mechanism Removal" noted by the arrows. Do not remove any of the other screws. Removal of the Spring/Belt screws could cause the tensioned spring to release, resulting in injury. (Figure A.)
3. Lift Belt Mechanism straight up from the post. (Figure B.)

## Removing a "new" mechanism:

1. The label for new mechanisms does NOT cover the removal screws. They are clearly exposed so there is no need to remove the label.
2. Remove the two flat head screws (Figure C.)

Identifying an "old mechanism":

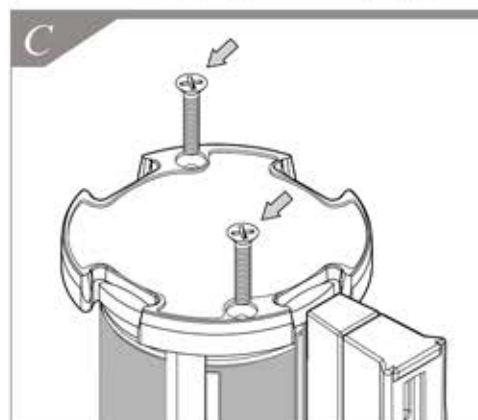
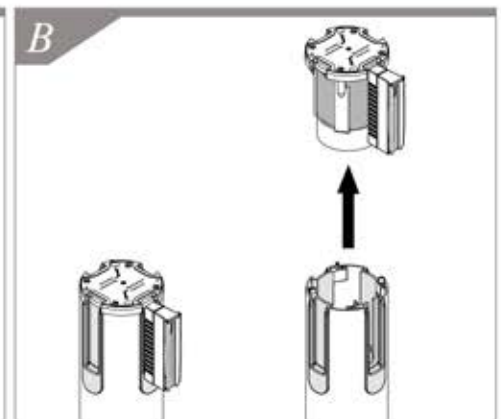
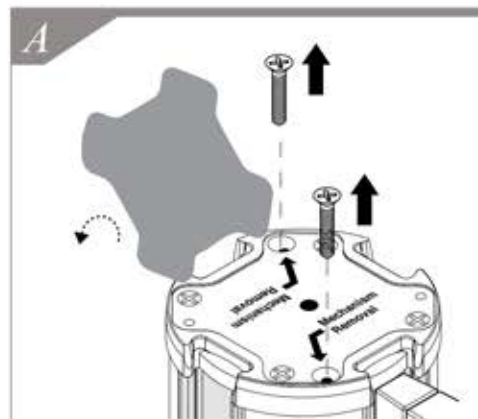


Once the label has been removed, two screws will be identified for "Mechanism Removal".

Identifying a "new mechanism":



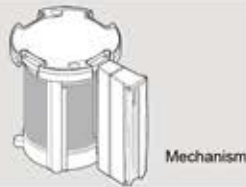
The label shape exposes the removal screws. If there is no label, the top has no text or arrows.



To install the replacement mechanism, please see the reverse side of this sheet.

# Mechanism Installation

## Parts List:



## Required Tools

To remove the mechanism needing replacement, please see the reverse side of this sheet.

### **Mechanism Installation:**

1. Your new mechanism should arrive with the belt guide and belt end neatly tucked into proper position. If it has come loose, click the belt guide back into place. See Figure A to determine where the belt guide slots into the mechanism casing. Once they are clicked together, there is no need to pull the belt out, it is ready to slide into the post. (Figure B)
2. Align mechanism to post so the belt-guide is lined up to the notch in post.
3. Drop in place, apply a small amount of pressure if needed. (Figure C.)
4. Secure mechanism to post with (2) 6-32 x 3/4" pan head screws (provided) via the two exposed countersink holes in the cap. (Figure D)

When properly secured, the screw heads will sit slightly below the cap surface.

