



Model # BARK-491

SAFETY WARNINGS & EQUIPMENT INSPECTION

- Owners and installers please note these safety warnings and make use of this checklist on a regular basis.
- Follow installation instructions when erecting equipment.
- Ground surfaces around equipment should be restored as needed. Concrete footings should never be exposed. Surface depth should comply with ASTM and CPSC specifications.
- Check for and repair damage caused by wear or vandalism, a major factor in injury causing situations.
- All protruding bolts should be covered or cut off and finished smooth. Sharp edges on pipes should be capped or removed. Check for bent, broken, or severely worn pipe, and replace.
- All equipment should be free of rust and repainted whenever necessary to deter rusting.
- We provide our customers with layout sheets and installation instructions. Please keep on file the specifications sheet that contains the listing of every part used.
- Never add components not intended for use with this product.
- Regular maintenance is necessary in this and all park and recreational equipment to insure the safety of the user.
- Note: Proper maintenance of equipment requires regular tightening of all bolts, nuts, and setscrews.
- Note: Regular checking of all parts, castings, etc. should be made. If a part is broken or worn, it should be replaced immediately.
- Check to be sure all fittings are tight and that bars and pipes do not move.
- Replace all worn S-hooks. S-hooks must be completely closed. Failure to close S-hooks can result in serious injury to the user. NEVER reuse S-hooks.
- Test for free movement of swing hanger and other moving attached parts.
- Check for worn chains and replace them.
- A soft resilient surface should be placed under all swings extending at least twice the height of the top rail both front and back.

HARDWARE



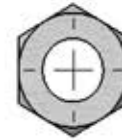
5/16" x 1 3/4"
Button Torx Bolt (SS)



5/16"
T Nut (SS)



3/8" x 1-1/2"
Button Torx Bolt (SS)



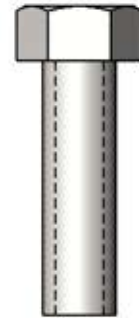
3/8"
Hex Nut (SS)



5/16" Lock Washer



5/16" Flat Washer



3/8" x 1-1/4"
Machine Bolt (SS)

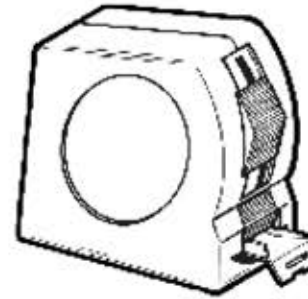
TOOLS REQUIRED



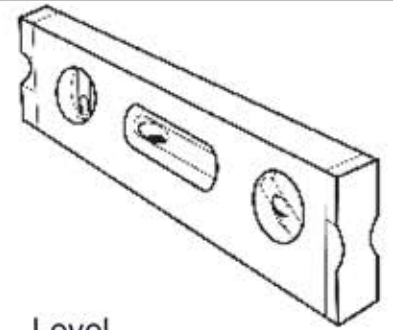
1/2" & 9/16"
Wrench



1/2" & 9/16"
Socket Wrench



Tape Measure



Level



Torx Wrench

BARK PARK PRODUCT SPECIFICATIONS

BARK-491 CRAWL TUNNEL

CRAWL TUNNEL: THE 26" I.D. WITH 1/4" NOMINAL WALL THICKNESS SHALL BE ROTATIONALLY MOLDED LINEAR LOW DENSITY POLYETHYLENE.

FOOTER POST: FOOTER POST SUPPORT SHALL BE FABRICATED FROM 1.315" O.D., 14ga. (.083" WALL) GALVANIZED STEEL TUBING AND POWDER COATED AFTER FABRICATION.

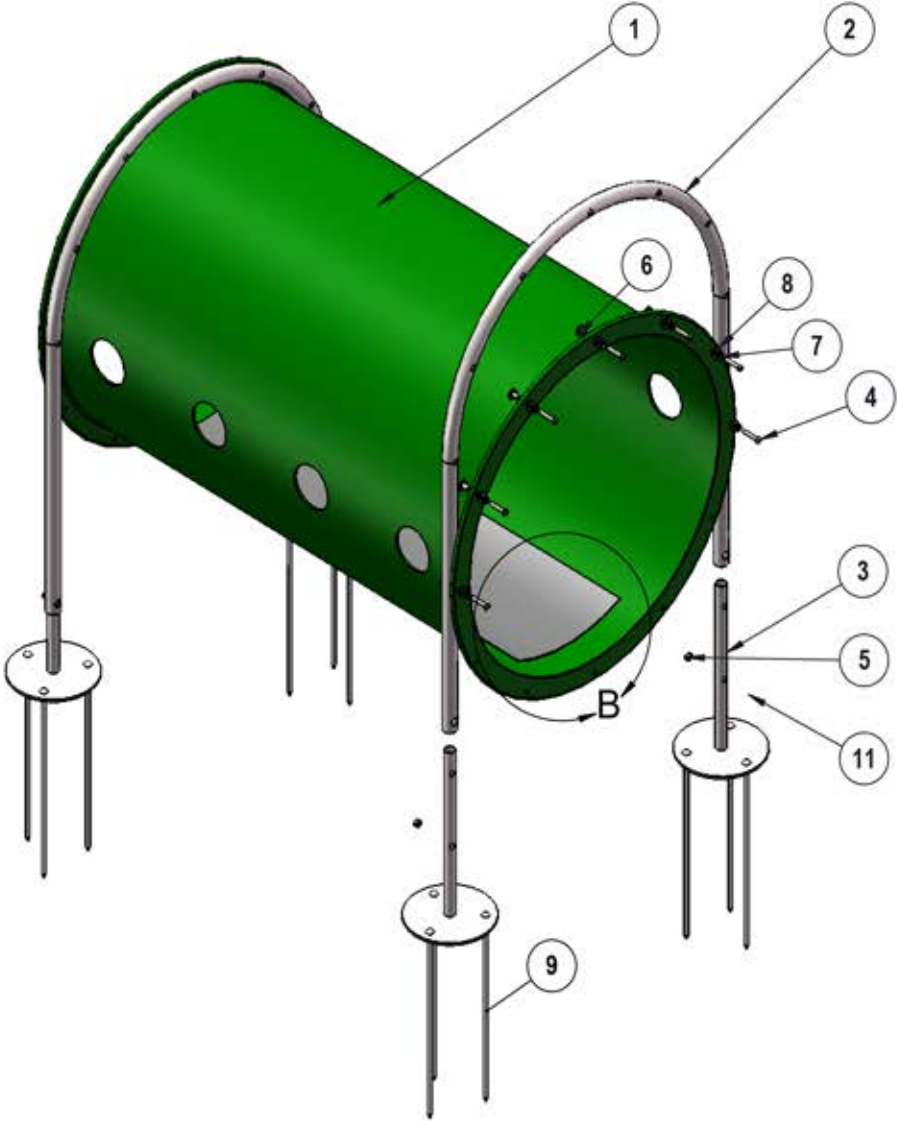
FOOTER: 1" O.D. 14ga. (.083" WALL), GALVANIZED, STEEL TUBING WELDED TO 1/4" THICK GALVANIZED STEEL PLATE.

HARDWARE: PRIMARY HARDWARE IS STAINLESS STEEL.

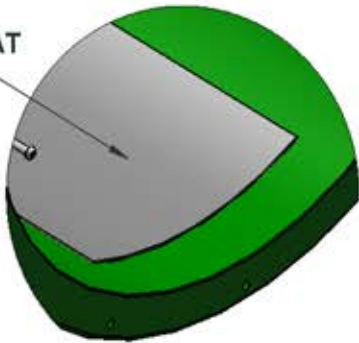
OVERALL DIMENSIONS: 49"L x 40"W x 45"H

WEIGHT: 90 lbs.

COMPONENTS



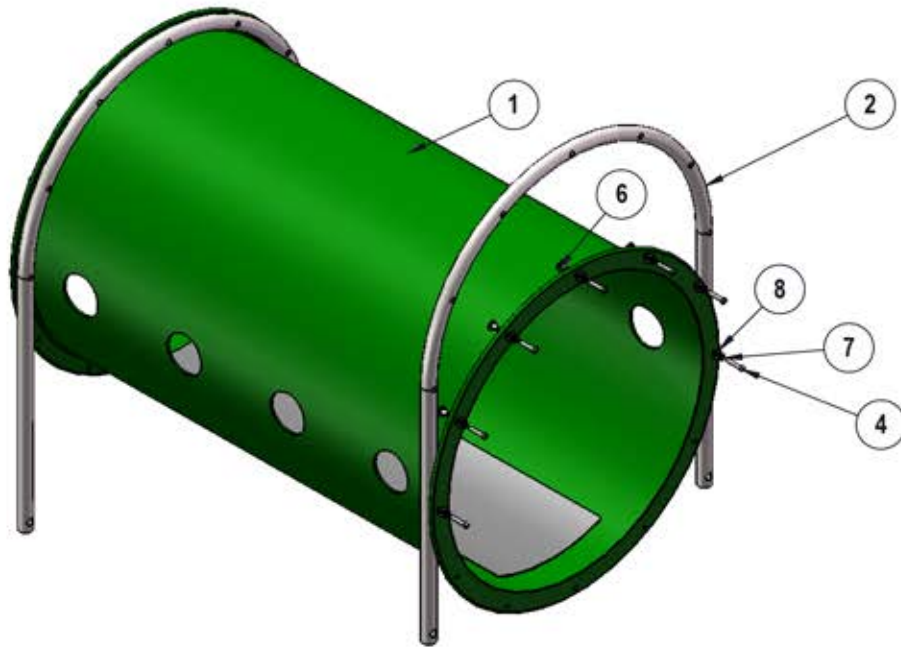
01-08-0195 SLIP RESISTANT MAT
SOLD SEPARATELY



DETAIL B
SCALE 1 : 8

ITEM NO.	PartNo	DESCRIPTION	Default/Qty.
1	02-07-0050	crawl tunnel	1
2	02-07-0087	crawl tunnel u shaped support frame	2
3	G-01-08-0275	crawl tunnel footer	4
4	33-06-0123	5/16" x 1 3/4" Button Torx Bolt (SS)	14
5	33-01-0018	3/8" Hex Nut (SS)	4
6	33-03-0018	5/16" T nut, SS	14
7	33-02-0032	5/16" lock washer SS	14
8	33-02-0001	5/16" Zinc Plated Washer	14
9	02-07-0048	ground spike 18"	12
11	33-06-0086	3/8" x 1 1/2" Button Torx Bolt (SS)	4

STEP 1



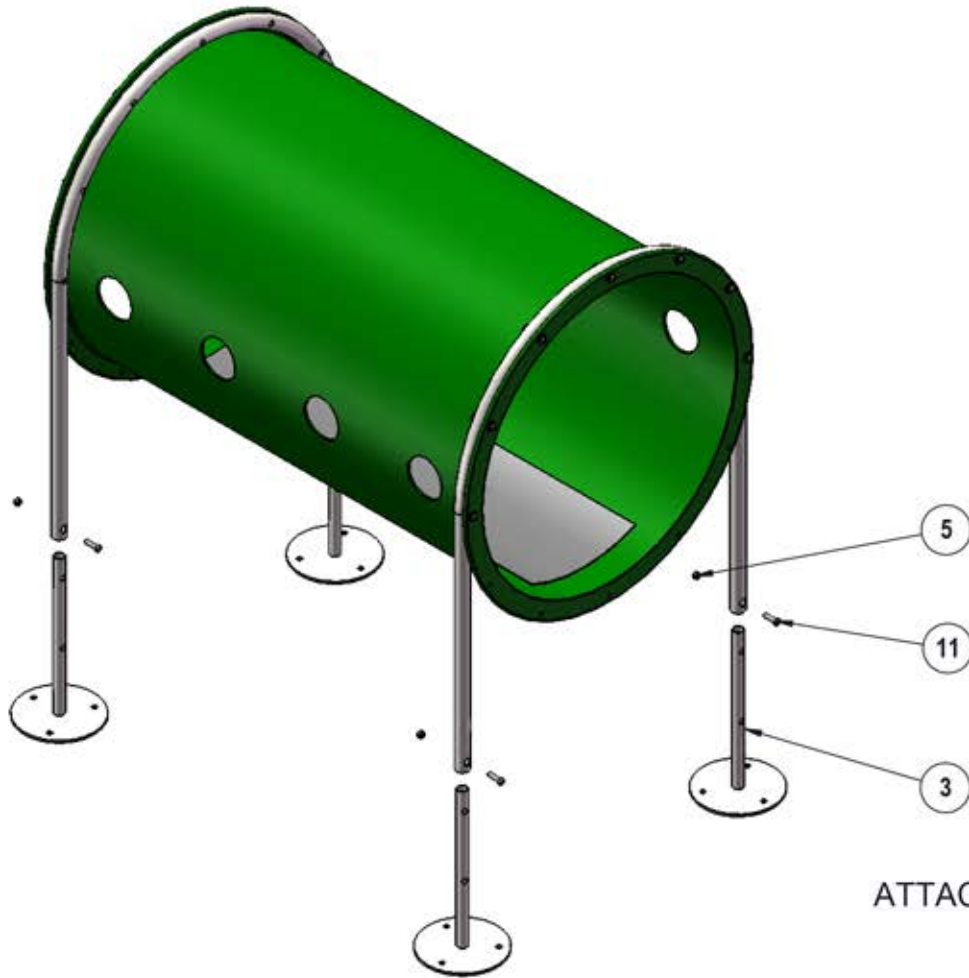
Scan to watch the Slip Resistant Mat instructional video!

BOLT THE CRAWL TUNNEL TO THE U-SHAPED SUPPORT FRAME USING SPECIFIED HARDWARE PROVIDED.

Apply slip resistant mat to inside of crawl tunnel. Use the self adhesive back and it is recommended the installer use a spray adhesive 3M Hi-Strength 90 or equivalent for additional adhesion.

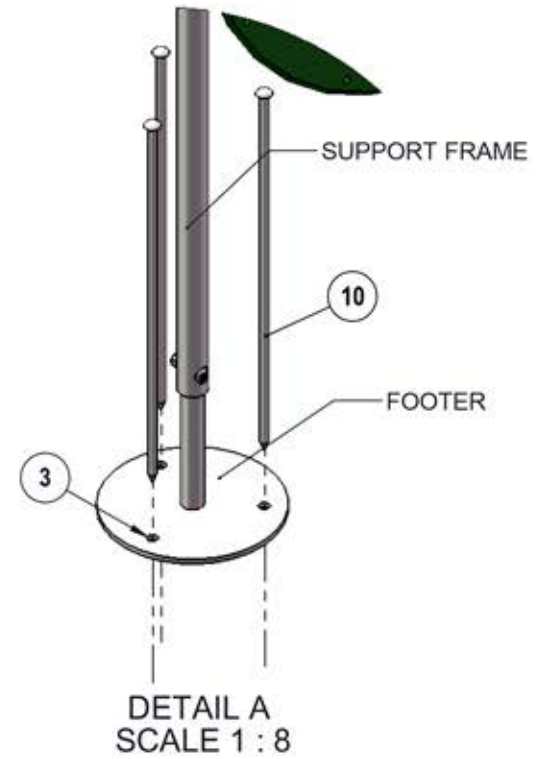
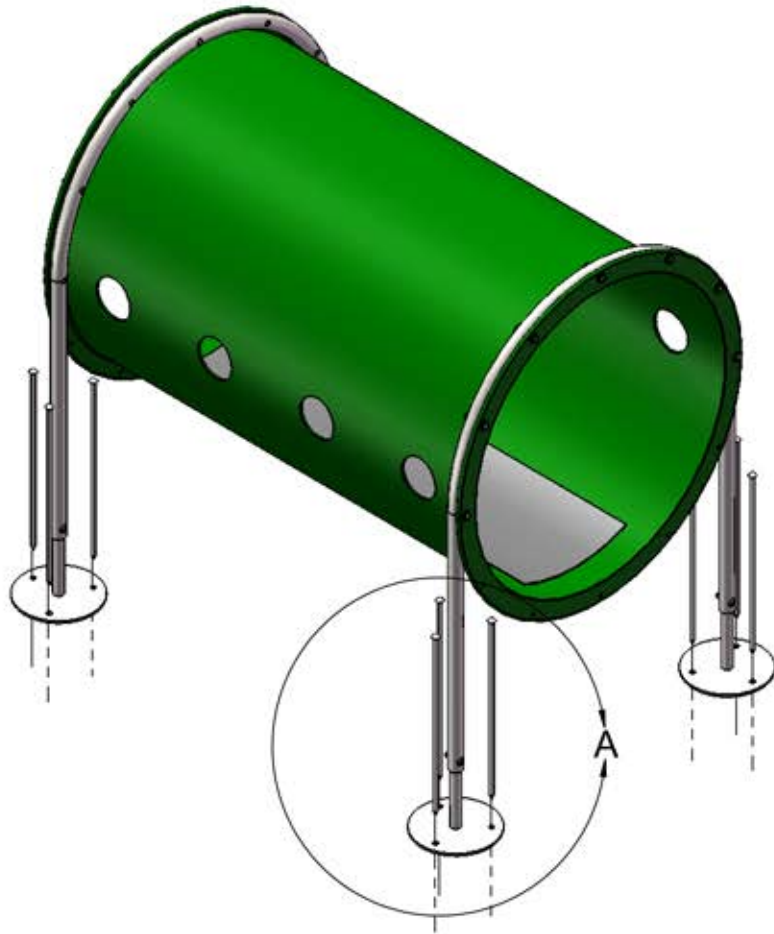
SLIP RESISTANT MAT SOLD SEPERATLEY

STEP 2



ATTACH U-SHAPED SUPPORT FRAME TO THE FOOTER
USING SPECIFIED HARDWARE.
HARDWARE PROVIDED.

Ground Spike Mounting

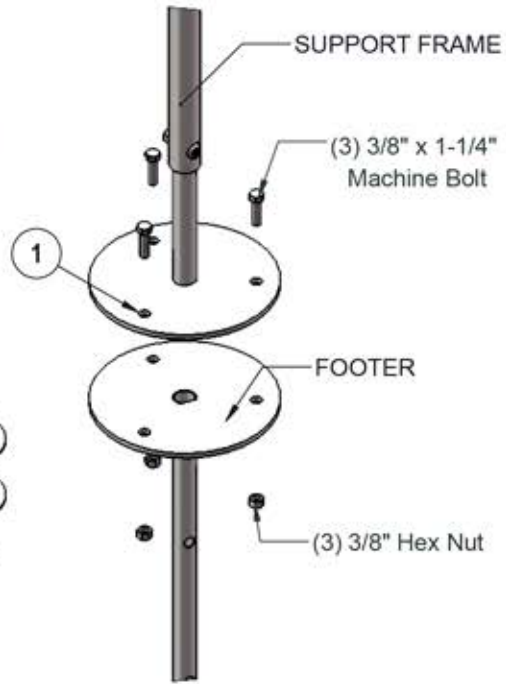
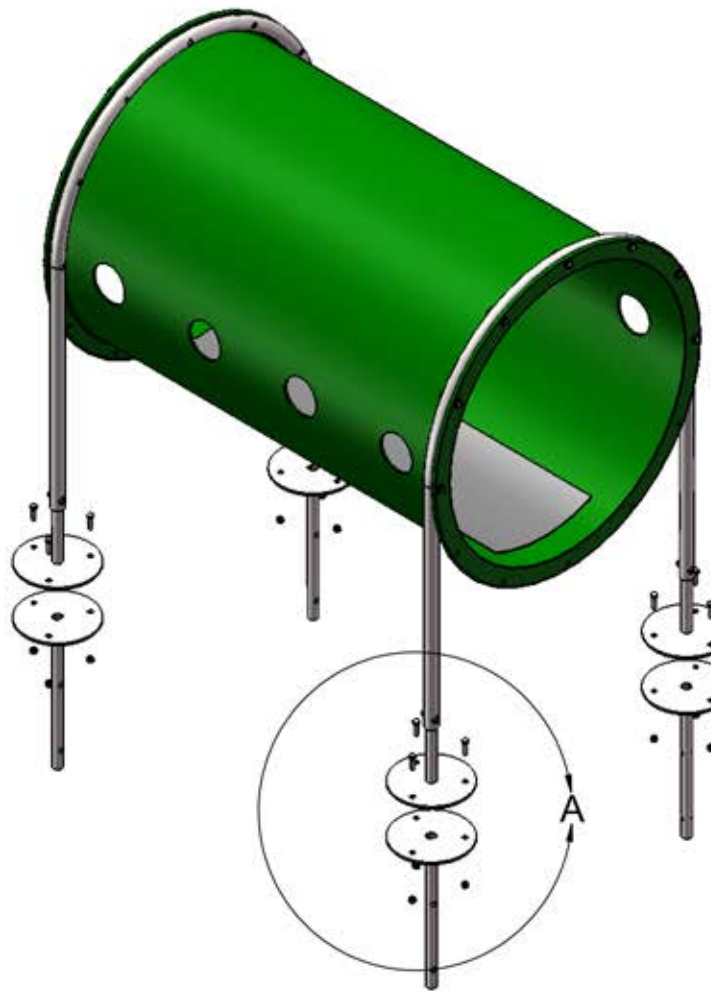


INSTRUCTIONS:

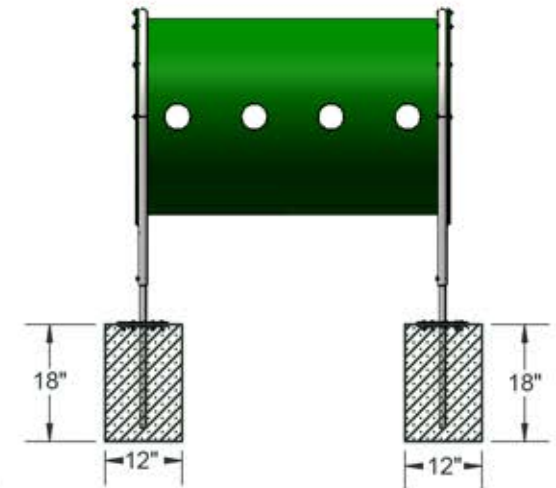
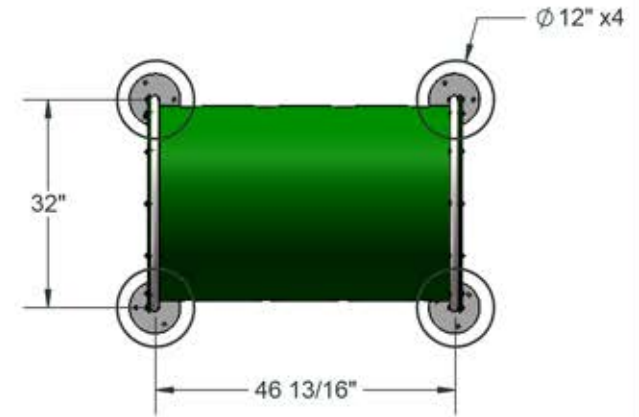
WITH FOOTERS IN POSITION, SECURE EACH FOOTER TO THE GROUND USING GROUND SPIKES (3x/footer).

NOTE: A 4lb. HAMMER MAY BE REQUIRED TO DRIVE SPIKES INTO THE GROUND.

Optional Inground Mounting



DETAIL A
SCALE 1 : 8



ITEM NO.	PartNo	DESCRIPTION	Qty.
1	G-01-08-0275	crawl tunnel footer	8
2	33-05-0019	3/8" x 1 1/4" Machine Bolt (Zinc)	12
3	33-01-0002	3/8" Hex Nut (Zinc)	12
12	33-06-0086	3/8" x 1 1/2" Button Torx Bolt (SS)	4

INSTRUCTIONS:

Bolt Footer and Inground Footer together using (3) 3/8" x 1-1/4" Machine Bolts and (3) 3/8" Hex Nuts.

Note:
INGROUND KIT 02-07-0079 SOLD SEPARATELY

OVERALL DIMENSIONS

