

Model # BARK-453

SAFETY WARNINGS & EQUIPMENT INSPECTION

- Owners and installers please note these safety warnings and make use of this checklist on a regular basis.
- Follow installation instructions when erecting equipment.
- Ground surfaces around equipment should be restored as needed. Concrete footings should never be exposed. Surface depth should comply with ASTM and CPSC specifications.
- Check for and repair damage caused by wear or vandalism, a major factor in injury causing situations.
- All protruding bolts should be covered or cut off and finished smooth. Sharp edges on pipes should be capped or removed. Check for bent, broken, or severely worn pipe, and replace.
- All equipment should be free of rust and repainted whenever necessary to deter rusting.
- We provide our customers with layout sheets and installation instructions. Please keep on file the specifications sheet that contains the listing of every part used.
- Never add components not intended for use with this product.
- Regular maintenance is necessary in this and all park and recreational equipment to insure the safety of the user.
- Note: Proper maintenance of equipment requires regular tightening of all bolts, nuts, and setscrews.
- Note: Regular checking of all parts, castings, etc. should be made. If a part is broken or worn, it should be replaced immediately.
- Check to be sure all fittings are tight and that bars and pipes do not move.
- Replace all worn S-hooks. S-hooks must be completely closed. Failure to close S-hooks can result in serious injury to the user. NEVER reuse S-hooks.
- Test for free movement of swing hanger and other moving attached parts.
- Check for worn chains and replace them.
- A soft resilient surface should be placed under all swings extending at least twice the height of the top rail both front and back.

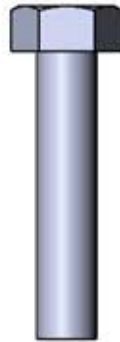
HARDWARE



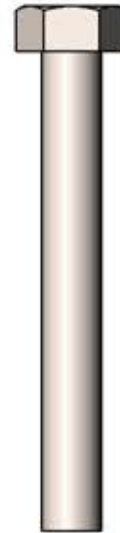
5/16" x 1"
Lag Bolt



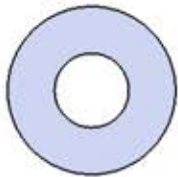
5/16" x 1"
Machine Bolt



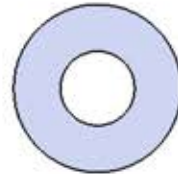
5/16" x 1-1/2"
Machine Bolt



5/16" x 2-1/2"
Machine Bolt



5/16" Washer

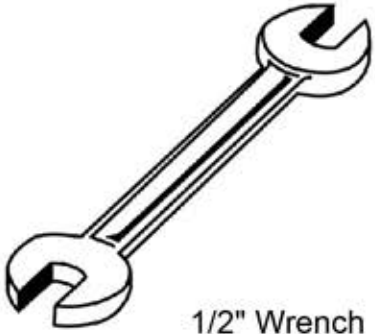


5/16" Washer



5/16" Kep Nut

TOOLS REQUIRED



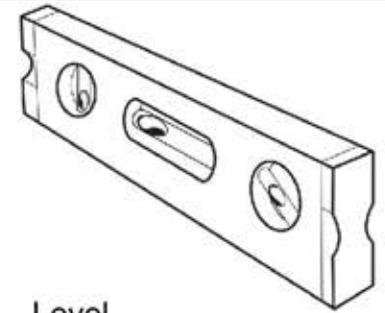
1/2" Wrench



1/2" Socket Wrench



Tape Measure



Level

BARK PARK PRODUCT SPECIFICATIONS

BARK 453 Clubhouse with crawl tunnel

Planking: 12 gauge sheet steel. 7 gauge x 1-1/2" flat bar understructure. Electrically MIG welded. 2" x 3" recycled plank is bolted to top surface to create steps.

Coating: Oven fused functionalized polyethylene copolymer-based thermoplastic. Fluidized bed coating application with superior mechanical performance, impact resistance and UV-stability. Steel walking planks feature BarkPark's proprietary CanineCoat™, a thermoplastic coating that has been specially developed to provide superior slip-resistant traction for dog's paws.

Crawl Tunnel: 24" ID with 1/4" nominal wall thickness shall be rotationally molded linear low density polyethylene.

Panels: 3/4" thick HDPE.

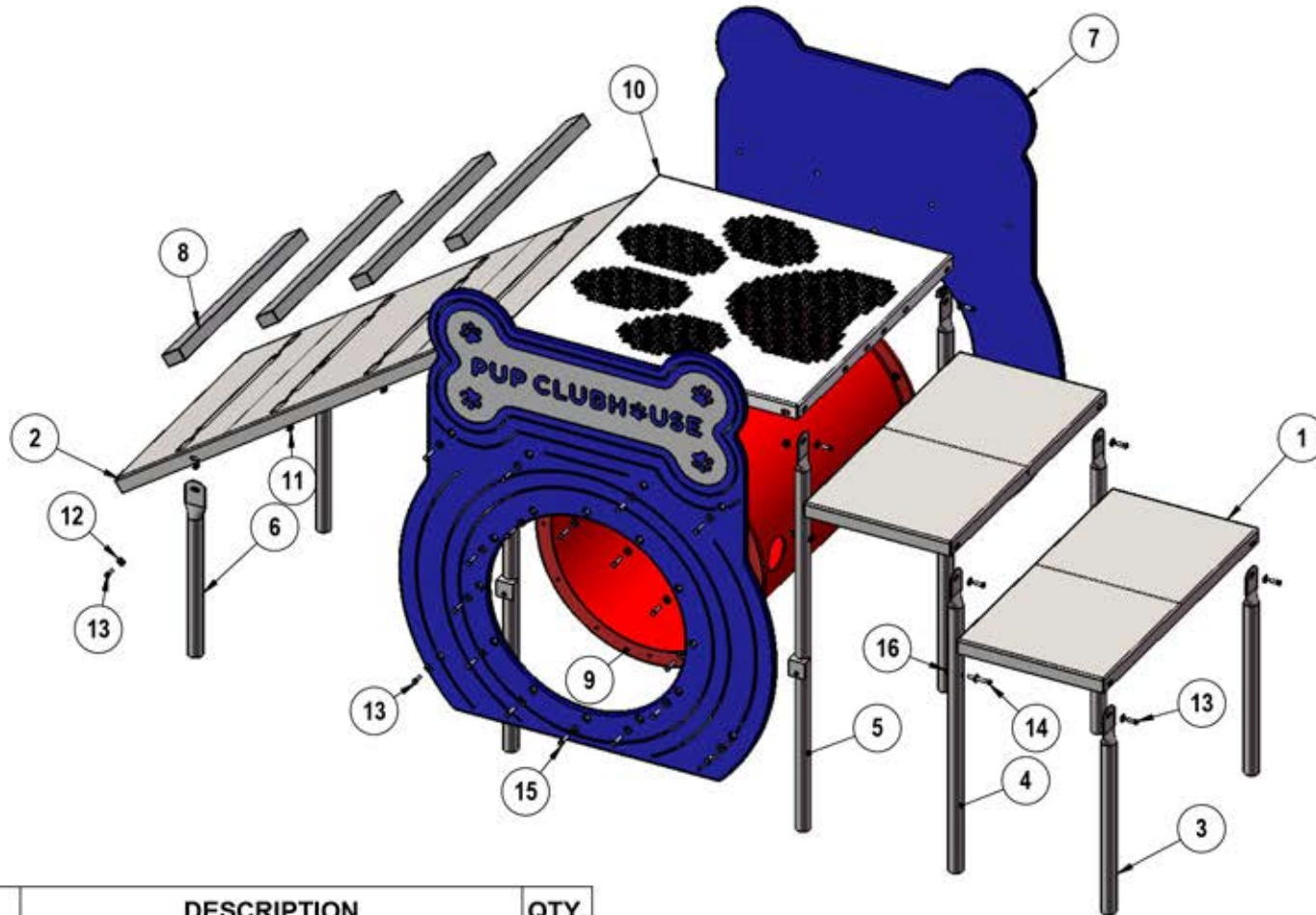
Frame: 1-5/8" O.D. x 14 gauge pre-galvanized structural steel tubing.

Frame Coating: Electrostatic powder coated application oven cured.

Hardware: All stainless steel hardware fasteners.

Dimensions: Outside to outside dimensions are 122 3/8" long x 37-1/2" wide x 53-1/4" tall.

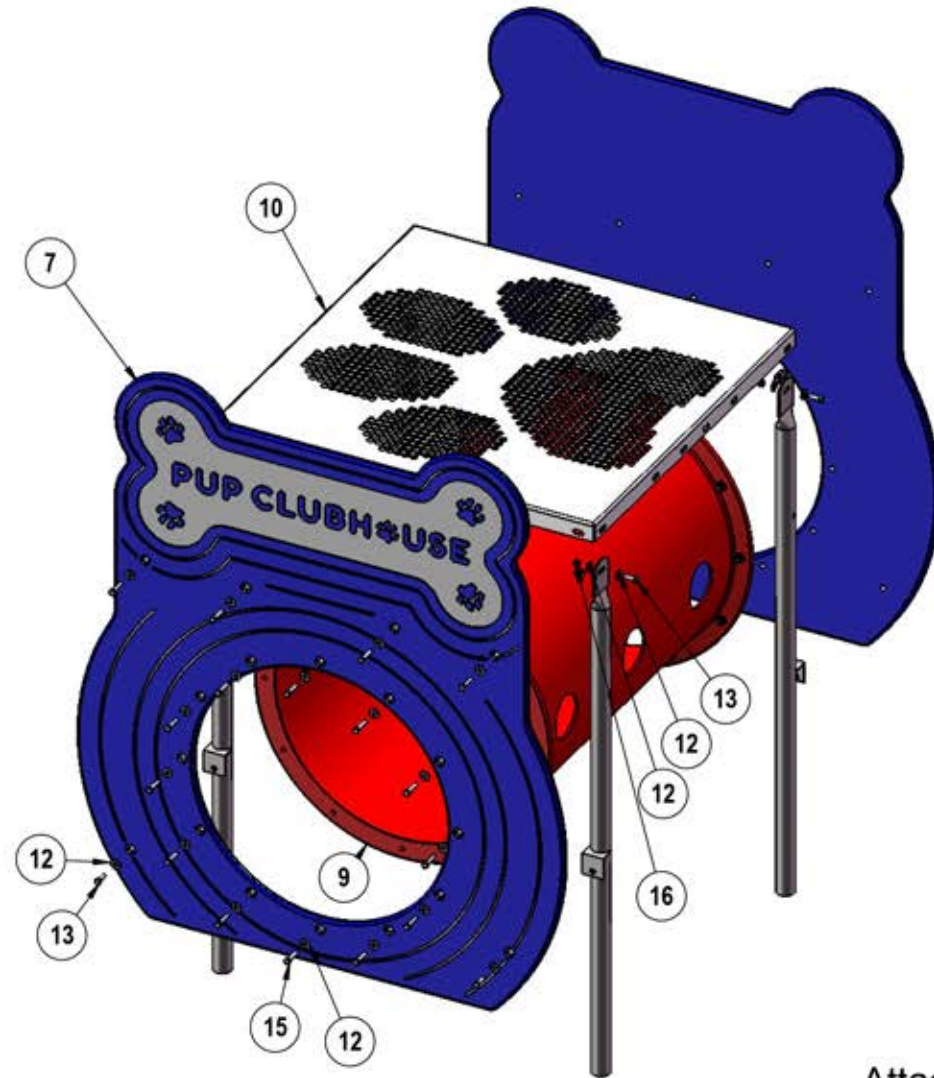
COMPONENTS



ITEM NO.	PartNo	DESCRIPTION	QTY.
1	01-08-0462	clubhouse step	2
2	01-08-0466	clubhouse ramp large	1
3	01-08-0454	clubhouse leg 25-3/4" long	2
4	01-08-0457	clubhouse leg 37-3/4" long with (2) holes	2
5	01-08-0459	clubhouse leg 49-3/4" long with hole & bracket	4
6	01-08-0453	clubhouse leg 21-3/4" long	2
7	01-08-0443 or 01-08-0447	bark-453 pup clubhouse panel blue/white or beige/green	2
8	01-08-0409	recycled step strip	4

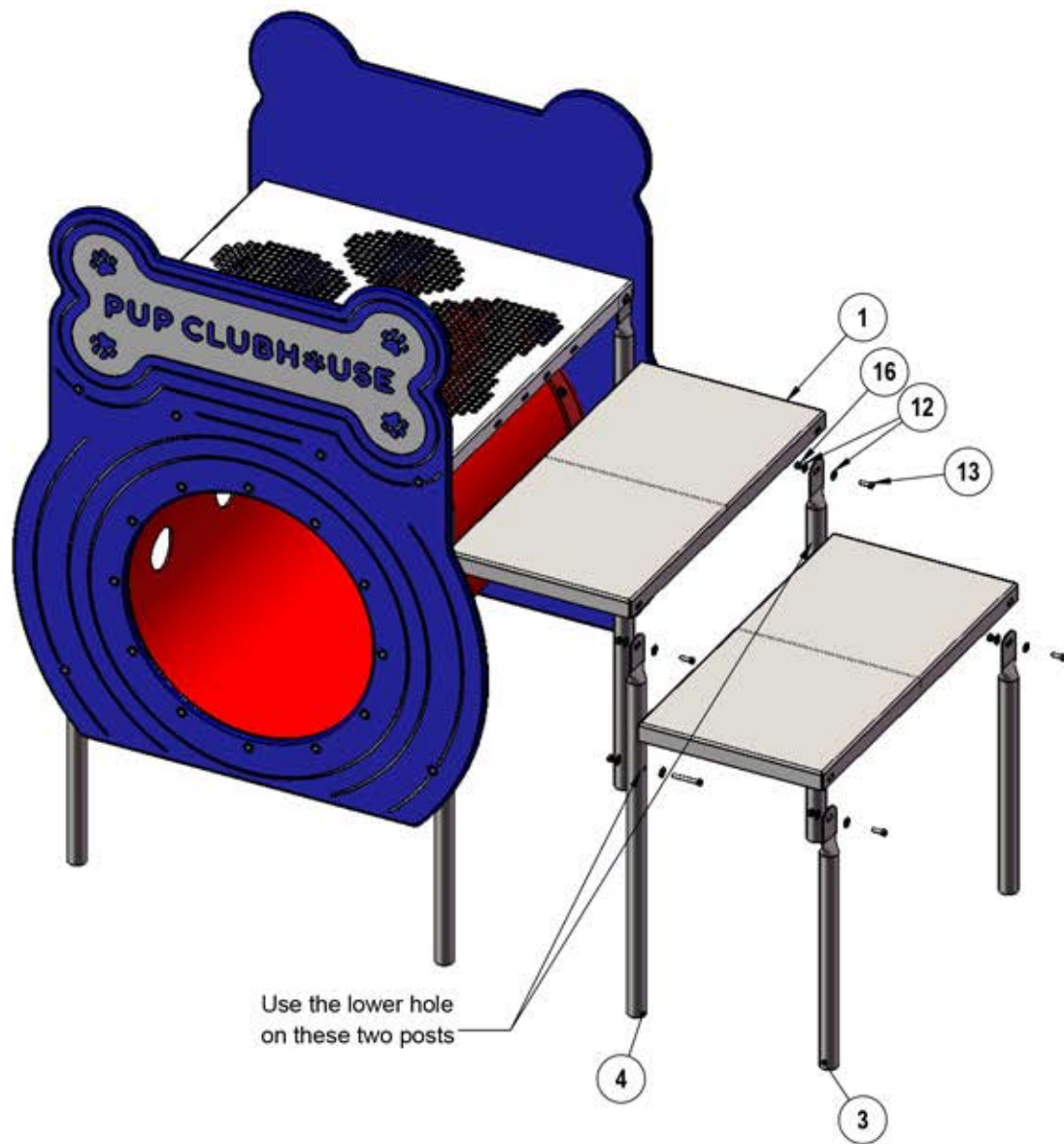
ITEM NO.	PartNo	DESCRIPTION	QTY.
9	177622	crawl tunnel 36"	1
10	T-01-08-0024	Paws Table Top	1
11	33-05-0067	5/16" x 1" lag bolt, SS	8
12	33-02-0007	5/16" SS Washer	112
13	33-05-0029	5/16" x 1" Machine Bolt (SS)	16
14	33-05-0094	5/16" x 2.5" Machine Bolt (SS)	4
15	33-05-0093	5/16" x 1.5" Machine Bolt (SS)	32
16	33-03-0012	5/16" Kep Nut (SS)	52

STEP 1



Attach crawl tunnel and paw print top to each HDPE panel. Attach posts to paw print top.

STEP 2

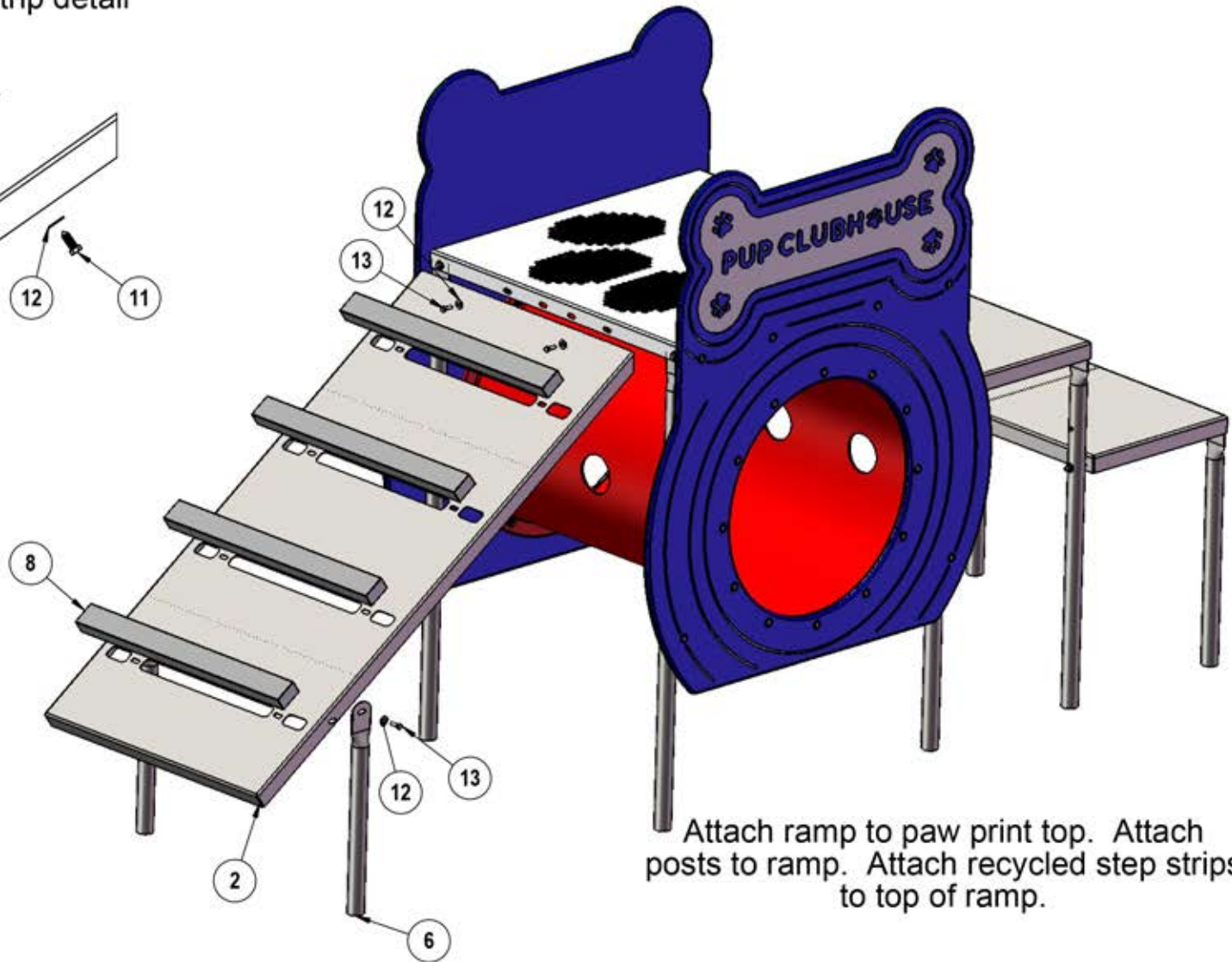
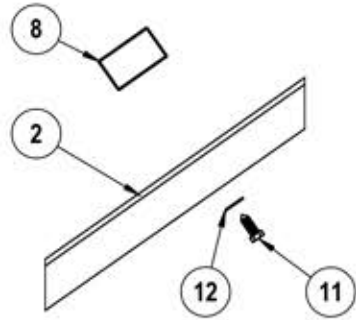


Attach steps to posts.

Use the lower hole
on these two posts

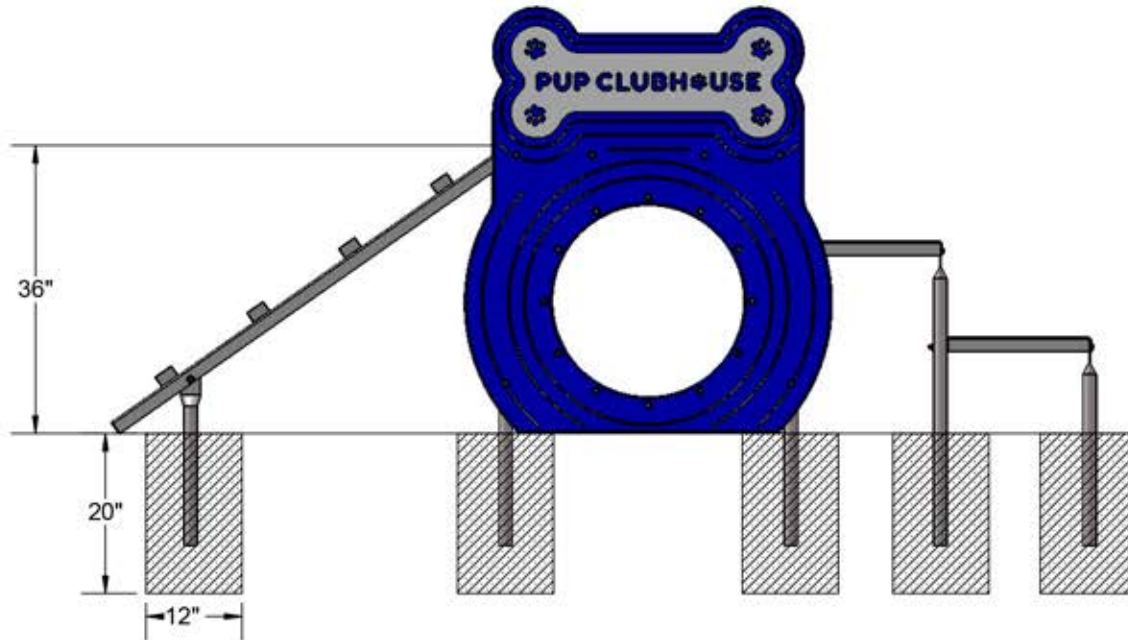
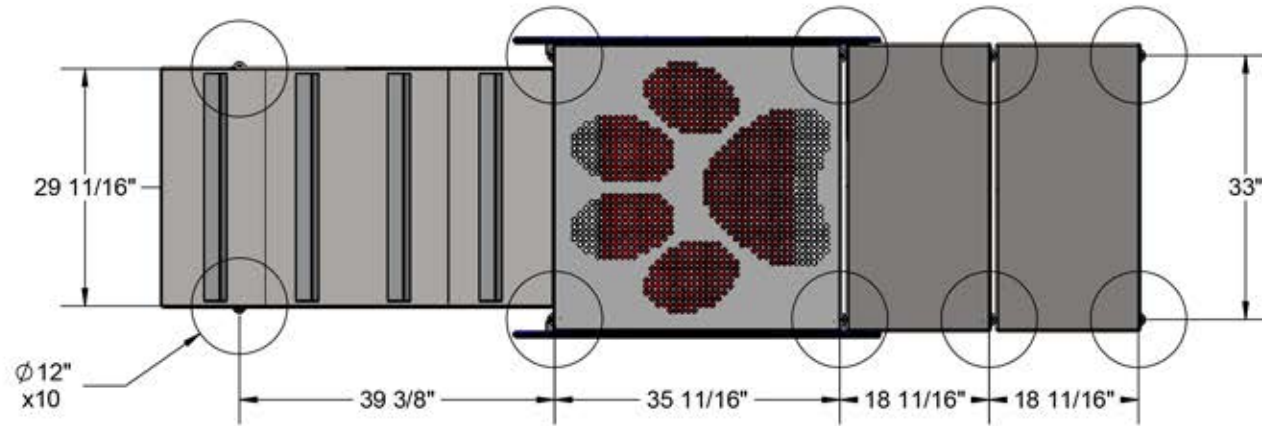
STEP 3

Step strip detail



Attach ramp to paw print top. Attach posts to ramp. Attach recycled step strips to top of ramp.

FOOTINGS



Estimated required concrete:
40 - 50lb bags of concrete mix

OVERALL DIMENSIONS

