



Model # BARK-441SM



## **SAFETY WARNINGS & EQUIPMENT INSPECTION**

- Owners and installers please note these safety warnings and make use of this checklist on a regular basis.
- Follow installation instructions when erecting equipment.
- Ground surfaces around equipment should be restored as needed. Concrete footings should never be exposed. Surface depth should comply with ASTM and CPSC specifications.
- Check for and repair damage caused by wear or vandalism, a major factor in injury causing situations.
- All protruding bolts should be covered or cut off and finished smooth. Sharp edges on pipes should be capped or removed. Check for bent, broken, or severely worn pipe, and replace.
- All equipment should be free of rust and repainted whenever necessary to deter rusting.
- We provide our customers with layout sheets and installation instructions. Please keep on file the specifications sheet that contains the listing of every part used.
- Never add components not intended for use with this product.
- Regular maintenance is necessary in this and all park and recreational equipment to insure the safety of the user.
- Note: Proper maintenance of equipment requires regular tightening of all bolts, nuts, and setscrews.
- Note: Regular checking of all parts, castings, etc. should be made. If a part is broken or worn, it should be replaced immediately.
- Check to be sure all fittings are tight and that bars and pipes do not move.
- Replace all worn S-hooks. S-hooks must be completely closed. Failure to close S-hooks can result in serious injury to the user. NEVER reuse S-hooks.
- Test for free movement of swing hanger and other moving attached parts.
- Check for worn chains and replace them.
- A soft resilient surface should be placed under all swings extending at least twice the height of the top rail both front and back.

# HARDWARE



5/16" x 1"  
Machine Bolt

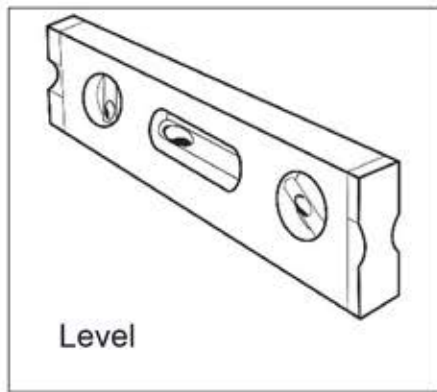
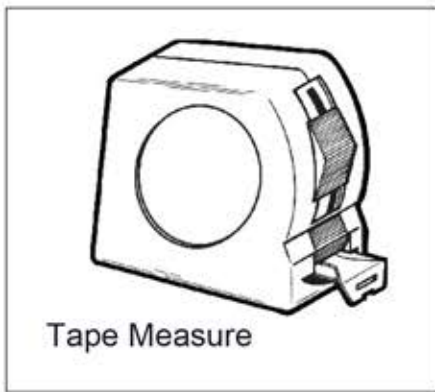
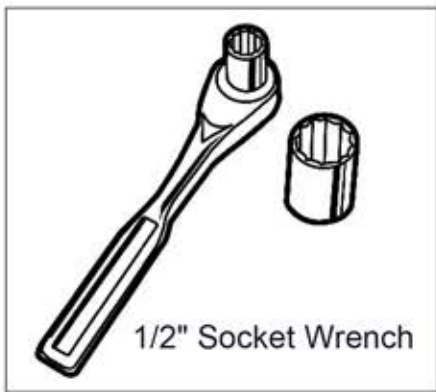
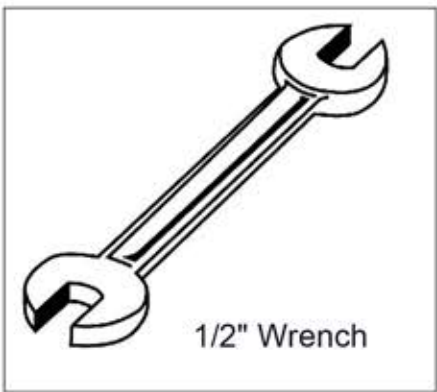


5/16" Washer



5/16" Hex Nut

TOOLS REQUIRED



## BARK PARK PRODUCT SPECIFICATIONS

### **BARK-441SM Stick Library**

Plate Coating: Oven fused functionalized polyethylene copolymer-based thermoplastic. Fluidized bed coating application with superior mechanical performance, impact resistance and UV-stability. Steel walking planks feature BarkPark's proprietary CanineCoat™, a thermoplastic coating that has been specially developed to provide superior slip-resistant traction for dog's paws.

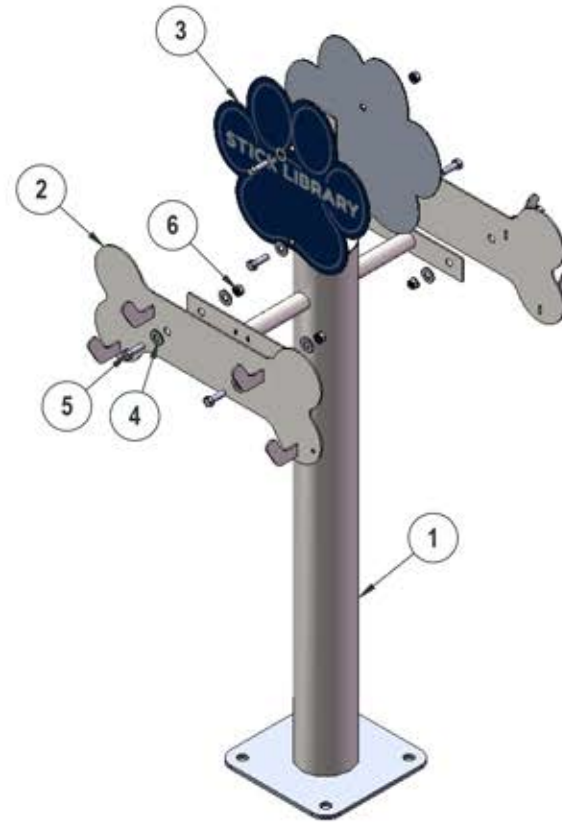
Post: 3-1/2" OD x 11ga pre-galvanized structural steel tubing. 8" Square x 1/4" thick Surface Mount Plate. Electrically MIG welded.

Post Coating: Electrostatic powder coated application oven cured.

Hardware: All stainless steel hardware fasteners.

Dimensions: Outside to outside dimensions are 16-5/8" long x 17-1/8" wide and 44" high.

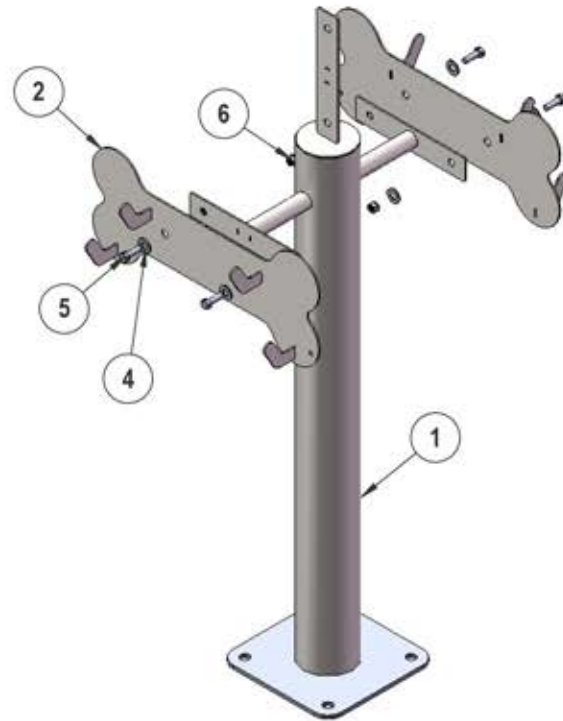
# COMPONENTS



ITEM NO.	PartNo	DESCRIPTION	Qty.
1	01-08-0420	bark-441 SM post	1
2	01-08-0421	bark-441 bone	2
3	01-08-0416	bark-441 paw sign	2
4	33-02-0007	5/16" SS Washer	12
5	33-05-0029	5/16" x 1" Machine Bolt (SS)	6
6	33-03-0012	5/16" Kep Nut (SS)	6

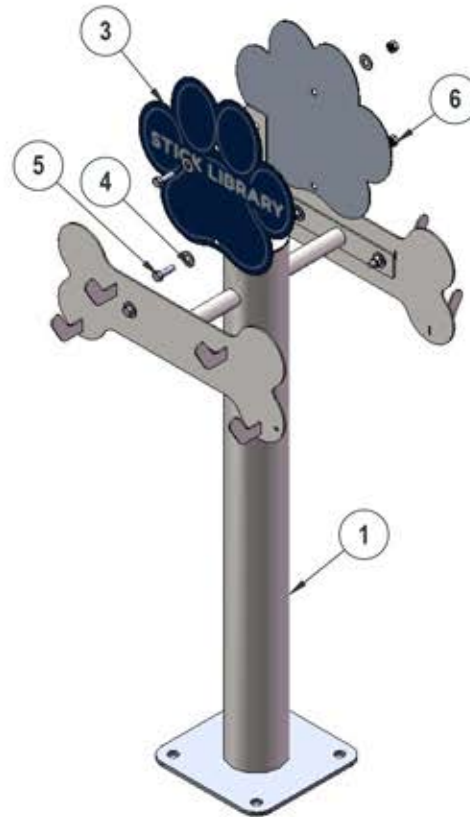
Recommended Surface Mount Hardware:  
 3/8" x 3-1/2" Concrete Expansion Anchor Bolts  
 (Not Included)

## STEP 1



Attach the bone plate to the mounting brackets using the specified hardware.

## STEP 2



Attach the Paw Sign to the mounting plate on top of post using the specified hardware.



# OVERALL DIMENSIONS

