

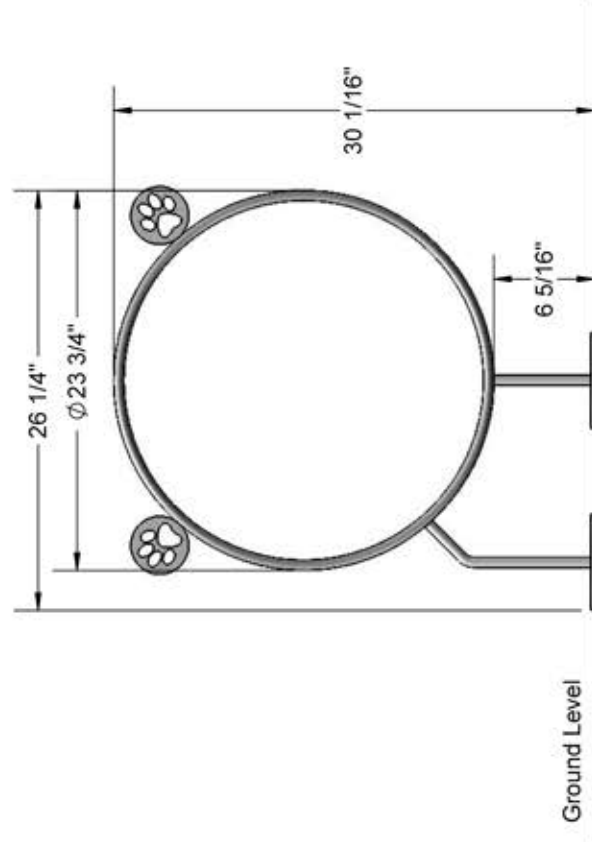
Model # BARK-437SM

## **BARK-437SM** **Surface Mount Mini Ring Jump**

Ring: 5/8" solid steel rod rolled to 23 3/4" OD. Electrically MIG welded.

Coating: Oven fused functionalized polyethylene copolymer-based thermoplastic. Fluidized bed coating application with superior mechanical performance, impact resistance and UV-stability.

Dimensions: The ring is 23-3/4" OD. Overall dimensions 30-1/16" tall x 26-1/4" wide.



Recommended Surface Mount Hardware:  
3/8" x 3-1/2" Concrete Expansion Anchor Bolts  
(Not Included)