

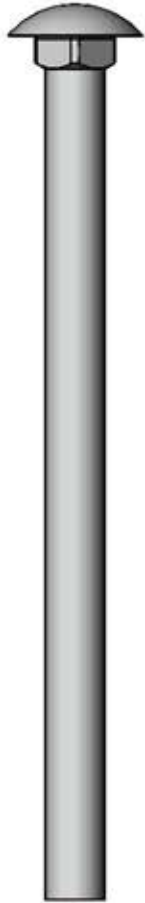
Model # BARK-433



## **SAFETY WARNINGS & EQUIPMENT INSPECTION**

- Owners and installers please note these safety warnings and make use of this checklist on a regular basis.
- Follow installation instructions when erecting equipment.
- Ground surfaces around equipment should be restored as needed. Concrete footings should never be exposed. Surface depth should comply with ASTM and CPSC specifications.
- Check for and repair damage caused by wear or vandalism, a major factor in injury causing situations.
- All protruding bolts should be covered or cut off and finished smooth. Sharp edges on pipes should be capped or removed. Check for bent, broken, or severely worn pipe, and replace.
- All equipment should be free of rust and repainted whenever necessary to deter rusting.
- We provide our customers with layout sheets and installation instructions. Please keep on file the specifications sheet that contains the listing of every part used.
- Never add components not intended for use with this product.
- Regular maintenance is necessary in this and all park and recreational equipment to insure the safety of the user.
- Note: Proper maintenance of equipment requires regular tightening of all bolts, nuts, and setscrews.
- Note: Regular checking of all parts, castings, etc. should be made. If a part is broken or worn, it should be replaced immediately.
- Check to be sure all fittings are tight and that bars and pipes do not move.
- Replace all worn S-hooks. S-hooks must be completely closed. Failure to close S-hooks can result in serious injury to the user. NEVER reuse S-hooks.
- Test for free movement of swing hanger and other moving attached parts.
- Check for worn chains and replace them.
- A soft resilient surface should be placed under all swings extending at least twice the height of the top rail both front and back.

# HARDWARE



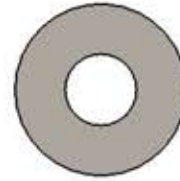
5/16" x 4-1/2"  
Carriage Bolt



5/16" x 4"  
Carriage Bolt



5/16" x 1-3/4"  
Carriage Bolt



5/16" Flat  
Washer



5/16" Hex Nut



3/8" Hex Nut

## TOOLS REQUIRED



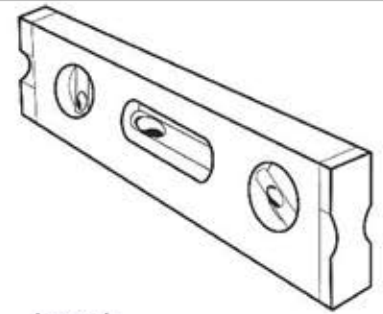
1/2" Wrench



1/2" Socket Wrench



Tape Measure



Level

# ULTRA SITE PRODUCT SPECIFICATIONS

## **BARK- 433 RECYCLED PET WASTE STATION WITH RECEPTACLE**

Planks: Minimum of 96% commingled post-consumer or post-industrial recycled plastic 1x4 and 4x4. With a minimum of 4% due to various additives including color and UV stabilization to obtain desirable properties.

Frame: Rings are 3/16" x 2" flat. Bottom plate is precision punched from 12 ga. steel sheet. All electrically MIG welded.

Frame Coating: Hot dipped galvanized.

Bag Box Coating: Electrostatic powder coat, oven cured.

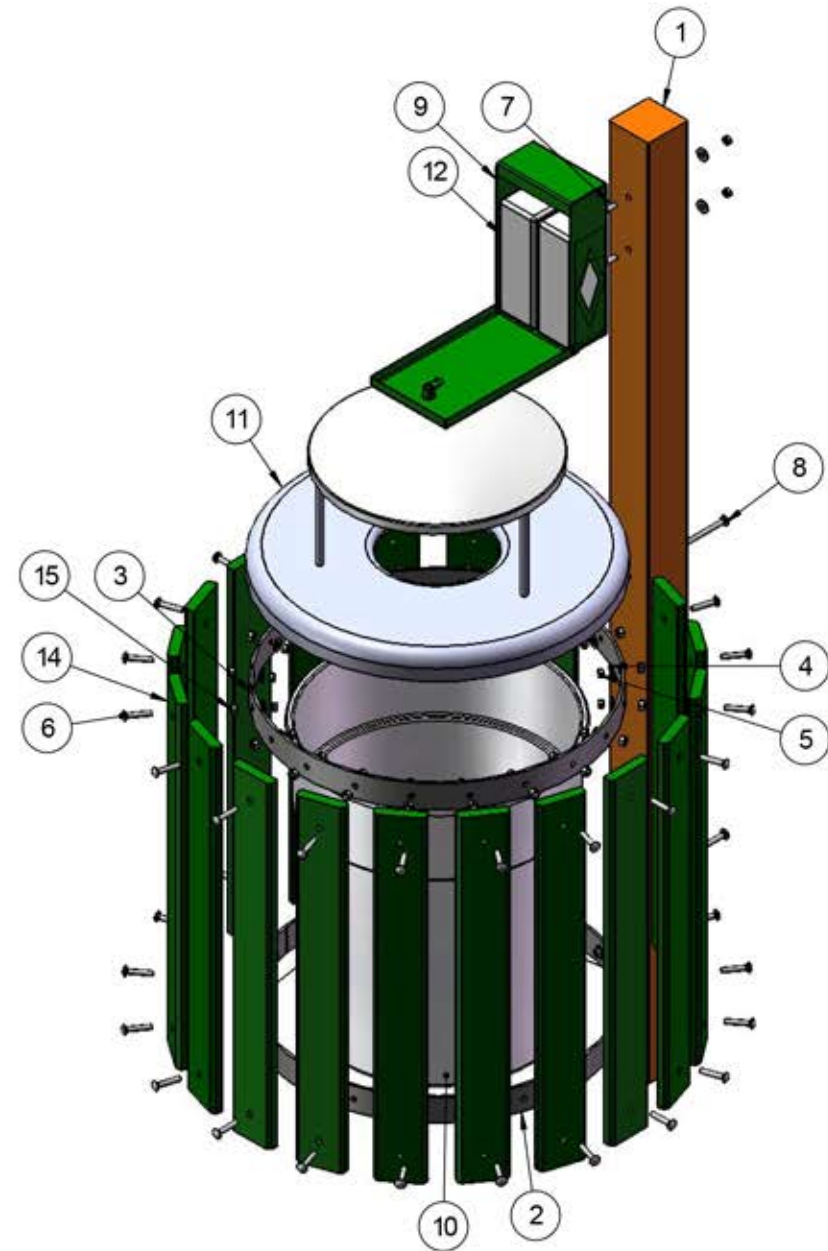
Bag Box Material: 20 gauge aluminum precision cut with formed edges and revited together. Attached lock.

Hardware: All hardware fasteners are zinc coated. 2 boxes of 200 count bags. 400 bags total.

Dimensions: 26" diameter trash receptacle. Waste Station dimensions are 25-11/16" wide x 28-7/16" Deep x 60-7/16" from the ground. Overall Height is 72-7/16".

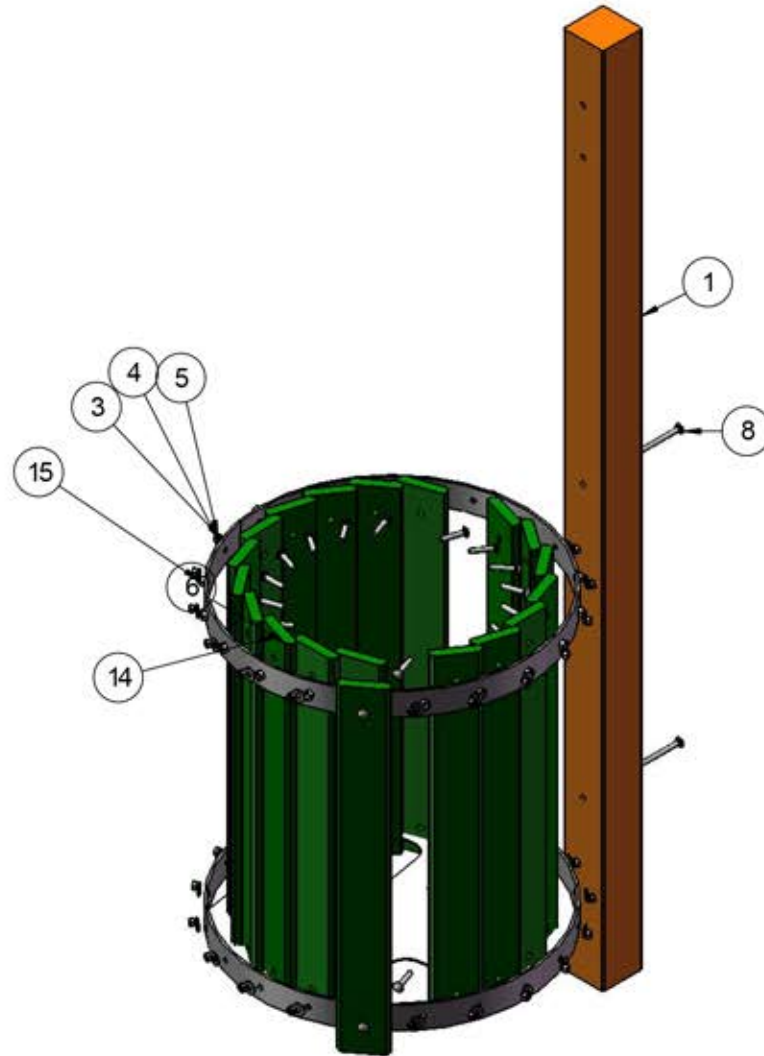
# COMPONENTS

ITEMNO.	PartNo	DESCRIPTION	QTY
1	01-08-0289	bark-433_434 recycled post	1
2	01-05-0054	TR bottom ring assembly	1
3	01-05-0049	TR-32 Ring	1
4	33-02-0001	5/16" Zinc Plated Washer	42
5	33-01-0001	5/16" Hex Nut (Zinc)	42
6	33-06-0025	5/16" x 1-3/4" Carriage Bolt	38
7	33-06-0038	5/16" x 4" Carriage Bolt (Zinc)	2
8	33-06-0007	5/16" x 4 1/2" Carriage Bolt, Zinc	2
9	P-01-08-0095	Assembled Bag Box	1
10	PL-20	20 Gal. Liner	1
11	RBR-32-08	32 Gallon Rolled Rain Bonnet with a 8" opening	1
12	01-08-0074	Pet Waste Station Bags	2
13	01-08-0282	Pet Waste Station Decal	1
14	GRN28-1x4-TR	Recycled Plank 1" x 4" x 28" - Green	19
15	33-01-0002	3/8" Hex Nut (Zinc)	20



## STEP 1

Attach the 1x4 and 4x4 Recycled Planks to the TR Top and Bottom Ring using the specified hardware.  
**NOTE:** Place the 3/8" Hex nut on the 5/16" Carriage bolts between the Top Ring and the Recycled Planks.



## STEP 2

Attach the Bag box to the 4x4 Recycled Post using the specified hardware.





# FOOTING



Estimated Required Concrete  
3 - 50lb Bags of Concrete Mix

# OVERALL DIMENSIONS

