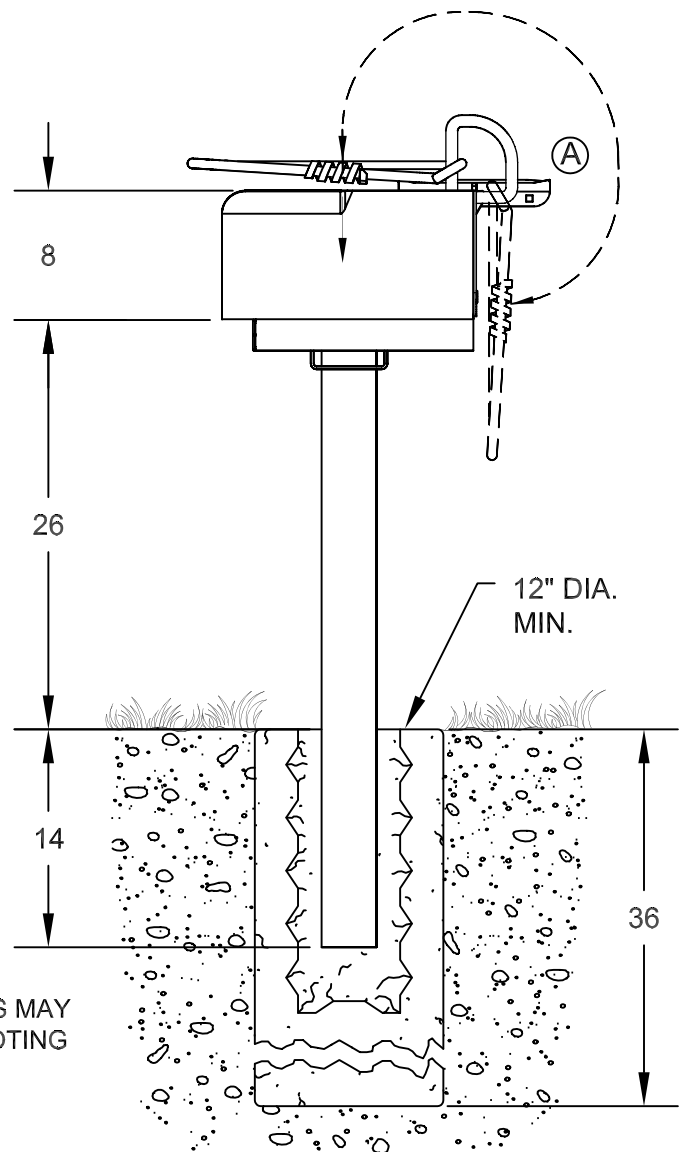
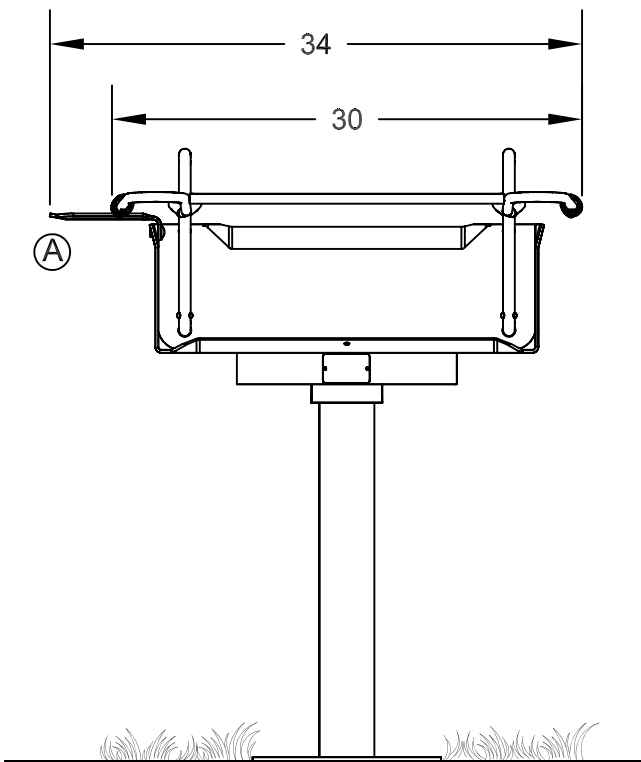


(A) OPTIONAL UTILITY SHELF - ADD /S TO MODEL NUMBER



NOTE:
LOCAL SOIL CONDITIONS MAY
REQUIRE A LARGER FOOTING

ALL DIMENSIONS IN INCHES



TITLE B-24 PARK GRILL SHOWN WITH B2 BASE
& OPTIONAL UTILITY SHELF

DRAWN BY JCT

DATE 7-6-00

DWG. NO. AI-1005-A