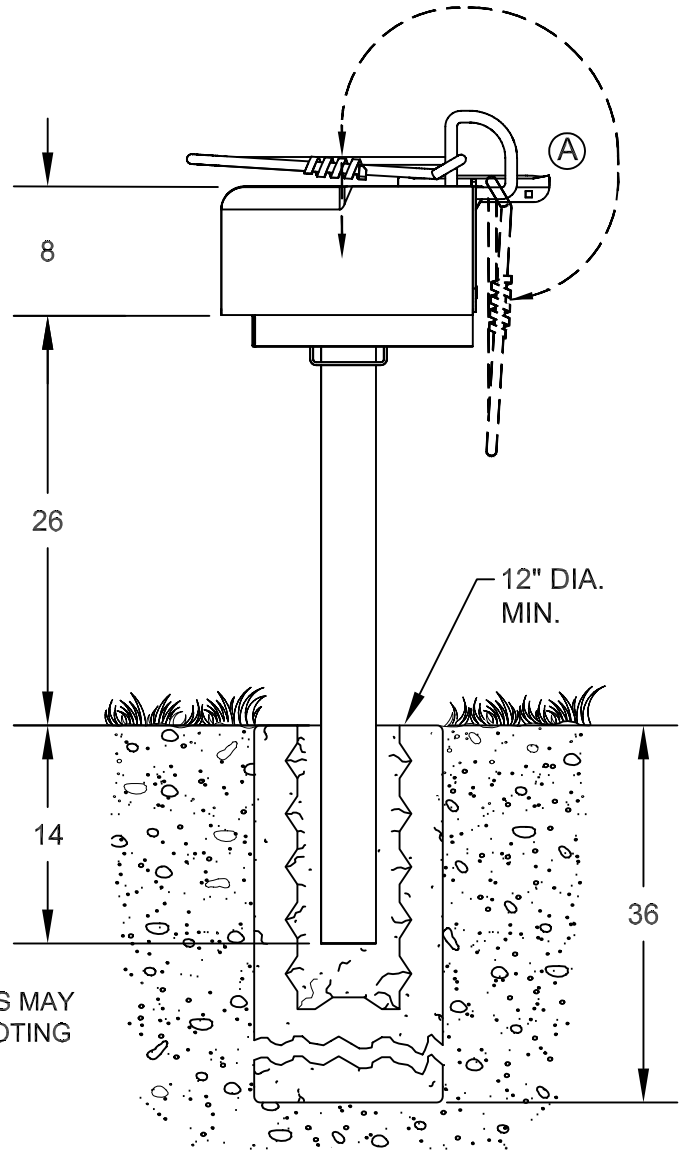
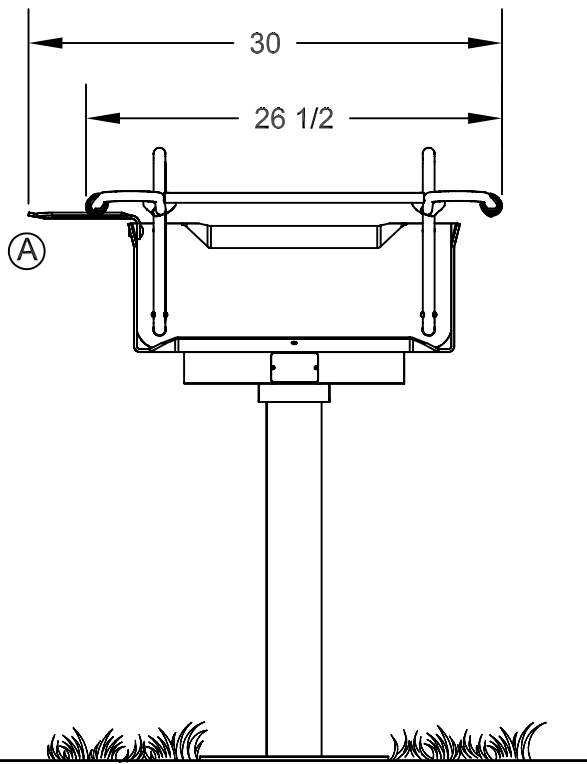


(A) OPTIONAL UTILITY SHELF - ADD /S TO MODEL NUMBER



NOTE:  
LOCAL SOIL CONDITIONS MAY  
REQUIRE A LARGER FOOTING

ALL DIMENSIONS IN INCHES



TITLE A-20 PARK GRILL SHOWN WITH B2 BASE  
& OPTIONAL UTILITY SHELF

DRAWN BY JCT

DATE 7-5-00

DWG. NO. AI-1002-A