

**Outdoor Bottle Filler
Pedestal Mounted Sensor/Pushbutton Activation**



M-OBF4 / M-OBFM4

**TECHNICAL ASSISTANCE TOLL FREE TELEPHONE NUMBER:
1.800.591.9360**

Technical Assistance Fax: 1.626.855.4894

NOTES TO INSTALLER:

1. Please leave this documentation with the owner of the fixture when finished.
2. Please read this entire booklet before beginning the installation.
3. Check your installation for compliance with plumbing, electrical and other applicable codes.

LIMITED WARRANTY - UNITED STATES & CANADA

Murdock warrants that its products are free from defects in material or workmanship under normal use and service for a period of one year from date of shipment from the factory. Murdock's liability under this warranty shall be discharged solely by repair or replacement of defective material, provided Murdock is notified in writing within the time periods described above.

This warranty does not cover installation or labor charges and does not apply to materials, which have been damaged by other causes such as mishandling or improper care or abnormal use. The repair or replacement of the defective materials shall constitute the sole remedy of the Buyer and the sole remedy of Murdock under this warranty. Murdock shall not be liable under any circumstances for incidental, consequential or direct charges caused by defects in the materials, or any delay in the repair or replacement thereof. This warranty is in lieu of all other warranties expressed or implied. Product maintenance instructions are issued with each unit and disregard or non-compliance with these instructions will constitute an abnormal use condition and void the warranty. Stainless steel must be protected on jobsite during construction and must be properly maintained after the water has been introduced into the water cooler or drinking fountain, or Murdock's limited warranty is void.

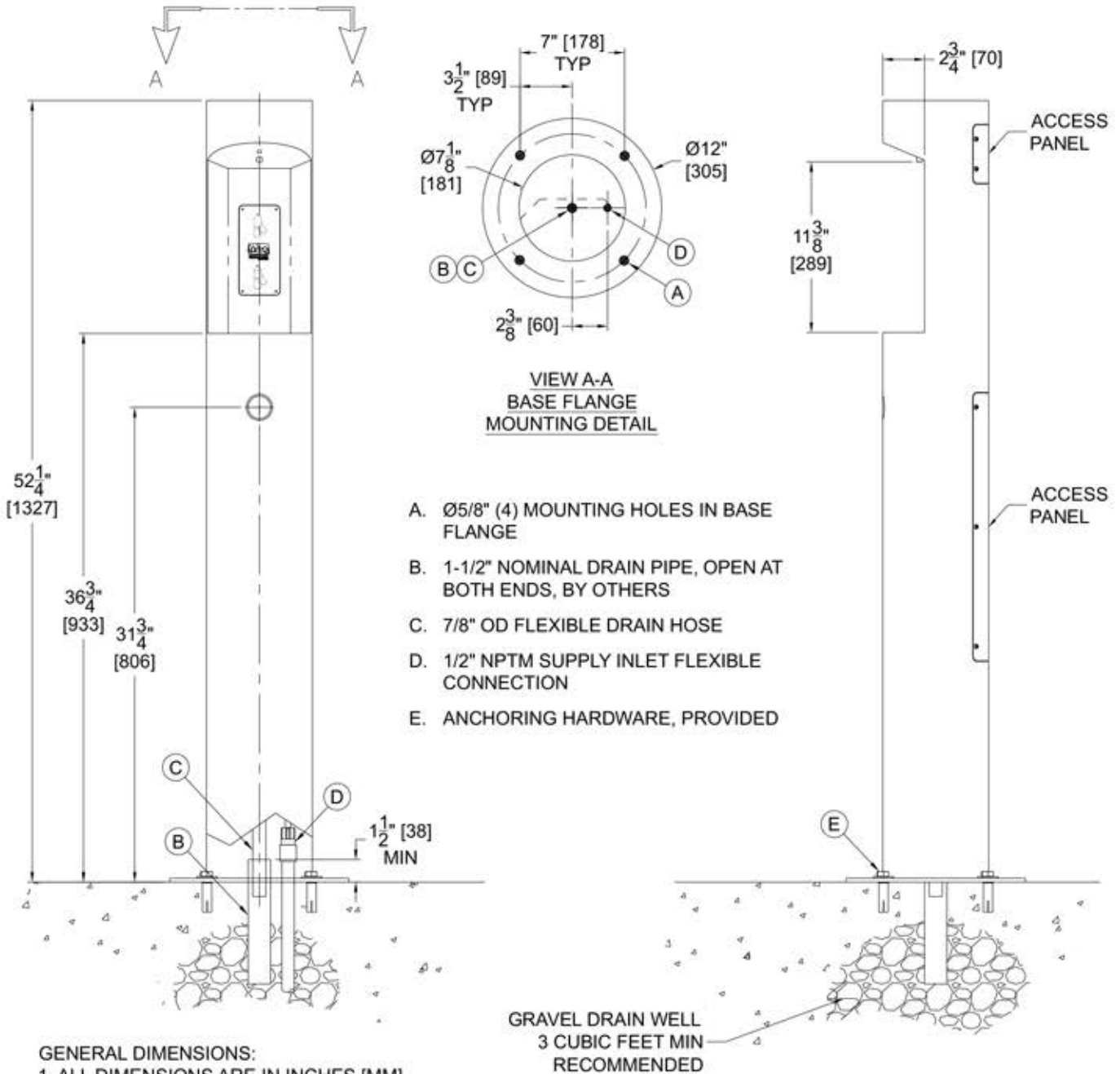
LIMITED EXPORT WARRANTY - One year on parts only.



Test rating conditions are compliant with ARI 1010.

ROUGHING-IN AND DIMENSIONAL DRAWING

Prior to roughing-in consult with local, state, and federal codes for proper installation.



GENERAL DIMENSIONS:
 1. ALL DIMENSIONS ARE IN INCHES [MM]
 2. STOP VALVE NOT PROVIDED

PRIOR TO INSTALLATION:

1. Read all installation instructions carefully, before proceeding.
2. Carefully remove fixture from packaging, preventing scratching or damage.
3. Unit is provided with six (6) AA Alkaline Batteries.
4. Provide mounting surface, sufficient to support the fixture and loads on the fixture. Provide 30" square x 6" deep minimum concrete slab, provided by others to securely anchor fixture.
5. Provide rough-ins as shown on the roughing-in and dimensional drawing, including Water Supply, Drain Pipe and Gravel Drain Well. (See page 2 for rough-in details)
6. Completely flush water supply lines of all foreign debris, before connecting to the fixture.

INSTALLATION: (see drainage & mounting roughing-in pg2)

1. Locate the unit over rough-ins on the Mounting Pad, mark mounting holes in base flange.
2. Tilt the unit down on its side, next to the mounting location. Install 1/2"-13 Drop-In Anchors. Optional -IAP (In-Ground Anchor Plate) which is cast into the concrete, is available.
3. Feed the 7/8" OD Flexible Drain Tube into the open ended Drain Tube. Connect the 1/2" Male NPT Fitting to a potable water supply. Then tilt the unit into place, making sure that the Tubing is not pinched or kinked. Secure the Base Flange to the Mounting Pad with provided hardware.
4. Connect the Battery Pack to matching Battery Wire Terminals. When connected the unit is active.
5. Test for leaks and proper operation, and then install the Access Panel.

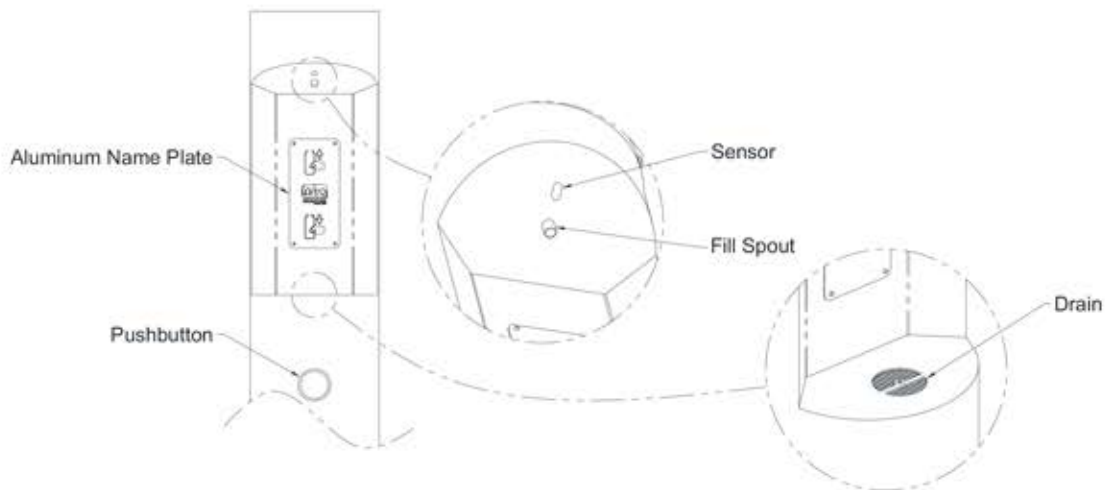
START UP:

Air within the Bottle Filler System or the structure supply piping will cause an irregular spout outlet stream until purged out by incoming water. Press and hold Pushbutton until steady water stream is achieved.

OPERATION INSTRUCTIONS:

Hand operation: Hold container to be filled just below the Filler Tube in the center of the unit, then push Pushbutton. When the container is almost filled, release the Pushbutton.

Sensor Operation: Hold container to be filled just below the Sensor in the center of the Filler Spout and then move the container upward and water flow will start automatically. When the container is almost filled, lower the container below the Sensor until the water stops flowing (see label on the Bottle Filler).



PUSH-IN FITTING INSTALLATION

NOTE: FITTINGS AND TUBE SHOULD BE KEPT CLEAN, BAGGED AND UNDAMAGED PRIOR TO INSTALLATION.

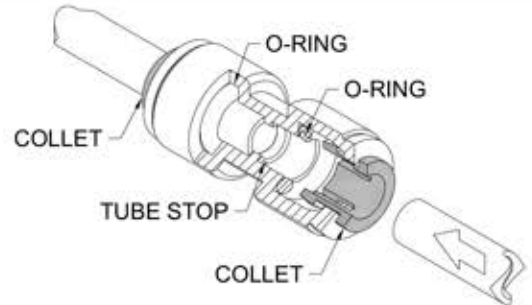
TO CUT TUBE:

Cut to fit length of 1/4" Polyethylene (PE) Tubing and remove any burrs or sharp edges. Ensure that the outside diameter is free from score marks. Tube ends should be square.

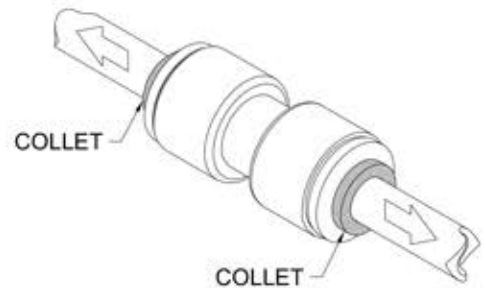


INSERTING THE TUBE:

1. Firmly and fully insert the Tubing End into the Push-In Fitting up to the Tube Stop located approximately 1/2" deep.

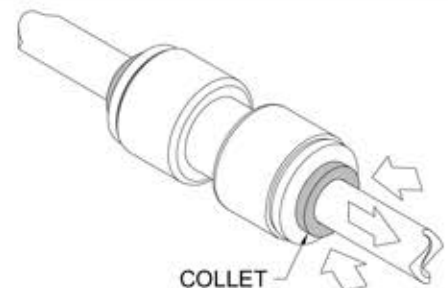


2. Pull on the fitted Tubing to ensure it is secure. Tube should not come free from the Fitting. Water test the connection assembly prior to leaving the site to ensure there are no leaks.



DISCONNECTING THE TUBE:

Before disconnecting the Tube from the Fitting, ensure that the water line is depressurized. Push Collet square towards the Push-In Fitting Body and hold. While holding the Collet in, pull on the PE Tubing to remove from the Push-In Fitting.



TROUBLE SHOOTING:

1. RESTRICTED OR NO WATER FLOW:

- a. Ensure Water Supply service stop valve is fully open.
- b. Verify minimum 20 PSIG supply line flow pressure.
- c. Check for twist or kinks in spout tubing.
- d. Check the water inlet "Y" strainer. Sediment from the main supply can get trapped in the screen along with installation materials such as pipe dope and flux. The screen should be cleaned and checked on a regular basis and replace if needed.
- e. Flow control in solenoid valve outlet elbow clogged remove & clean.

SENSOR TROUBLE SHOOTING:

1. IF LIGHT WITHIN SENSOR DOES NOT FLASH ONCE WHEN USER IS WITHIN RANGE:

- a. Verify 9VDC output of battery pack.
- b. Replace defective batteries.
- c. Sensor in "Security Mode" after 30 seconds of constant detection. Remove source of detection and wait 30 second before checking.
- d. Sensor is picking up a highly reflective surface. Eliminate cause of reflection and wait 30 seconds before checking.

2. IF LIGHT WITHIN SENSOR LENS FLASHES ONCE WHEN THE USER IS WITHIN RANGE:

- a. Repair bad connection from sensor to solenoid.
- b. There is debris or scale in the solenoid assembly. Remove solenoid, pull out plunger and spring. Clean with scale remover solution.
- c. There is debris or scale in center or two holes in convolution of the water diaphragm. Remove and clean.

CLEANING & MAINTENANCE GUIDE:

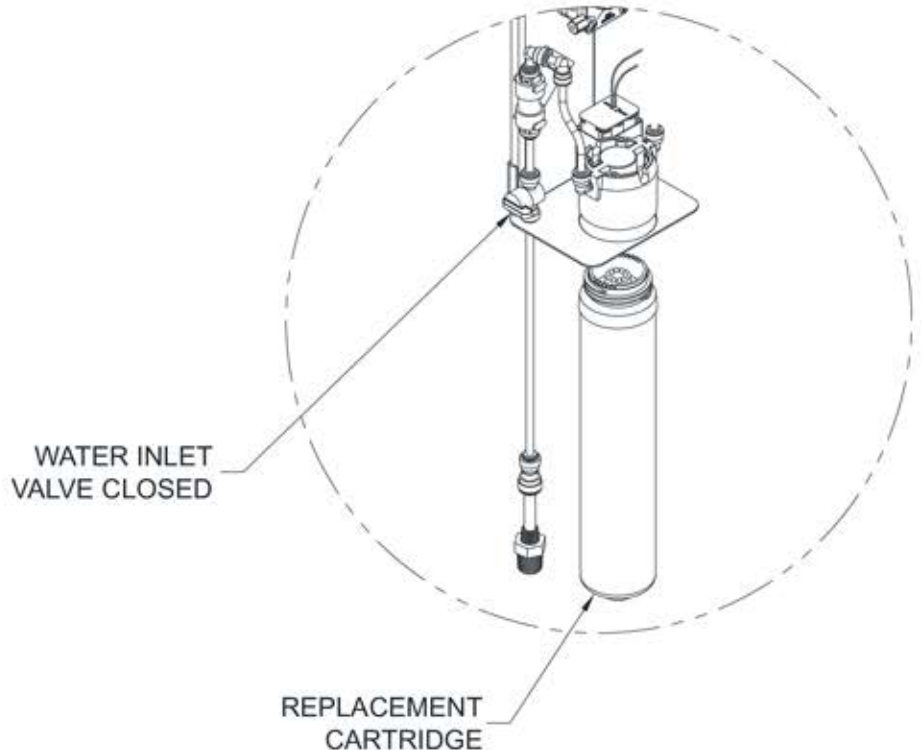
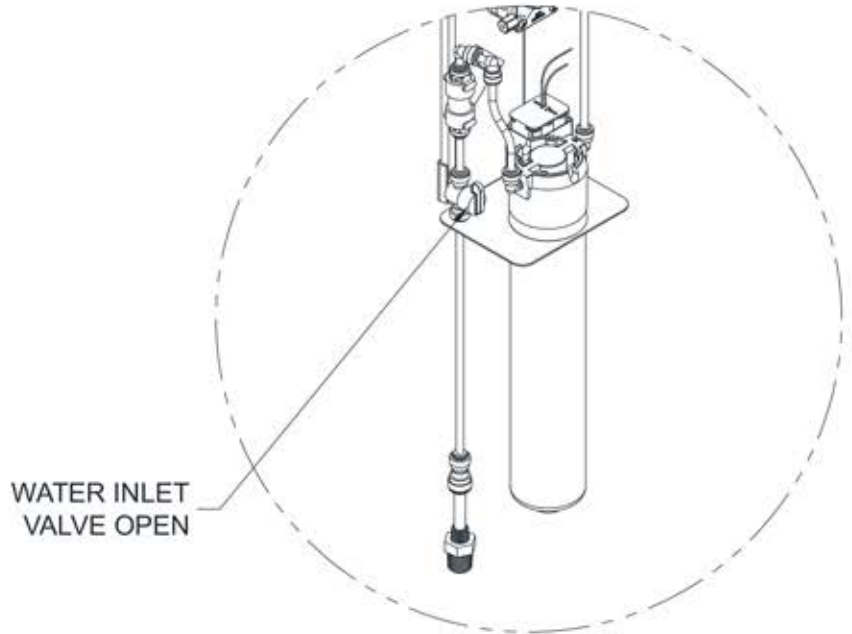
For Powder coated units: Units should be cleaned using a mild soap solution with a sponge or cotton cloth. Wipe down surfaces then rinse with clean water.

For Stainless steel units:

1. To Remove water spots or rust spots, stainless steel cleaner/polish on a cloth is recommended.
2. If there are stubborn spots or if you wish to treat a scratch, synthetic abrasive general purpose pads such as Scotch-Brite™ are recommended.
3. Apply stainless steel cleaner/ polish to the synthetic abrasive pads and carefully rub the panel in the direction of the grain pattern.
4. DO NOT use harsh chemicals, abrasive or petroleum based cleaners. Use of these will void the Murdock warranty. DO NOT use abrasives on powder coated units.
5. Stainless steel should be kept clean at all times. If a coating of stainless steel cleaner/ polish is maintained, stainless steel surfaces will retain their new, clean, polished appearance indefinitely.

FILTER CARTRIDGE REPLACEMENT:

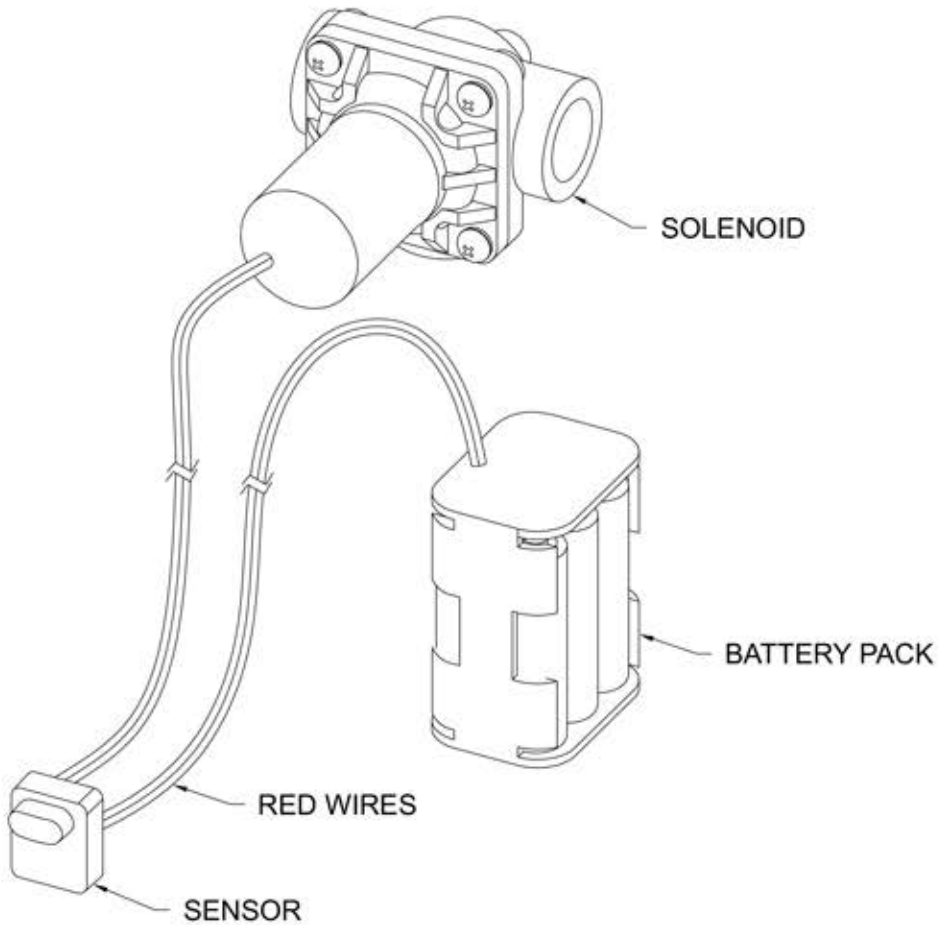
1. Remove six (6) Screws that holds the Bottom Access Panel to the unit, this allows access to the Filter.
2. Pull the Filter Assembly straight up about six (6) inches and then turn the Small Valve, on the Filter Inlet, a 1/4 turn to shut off the water supply to the Filter.
3. While holding the Filter Assembly up about six (6) inches, unscrew the lower Filter Cartridge from the top of the Filter Assembly. Then move the top of the Filter Assembly to the side and finish removing the Filter Cartridge from the unit.
4. Reverse the steps to install a new Filter Cartridge.
5. Test for leaks and proper operation, then install the Bottom Access Panel back onto unit.



BATTERY REPLACEMENT:

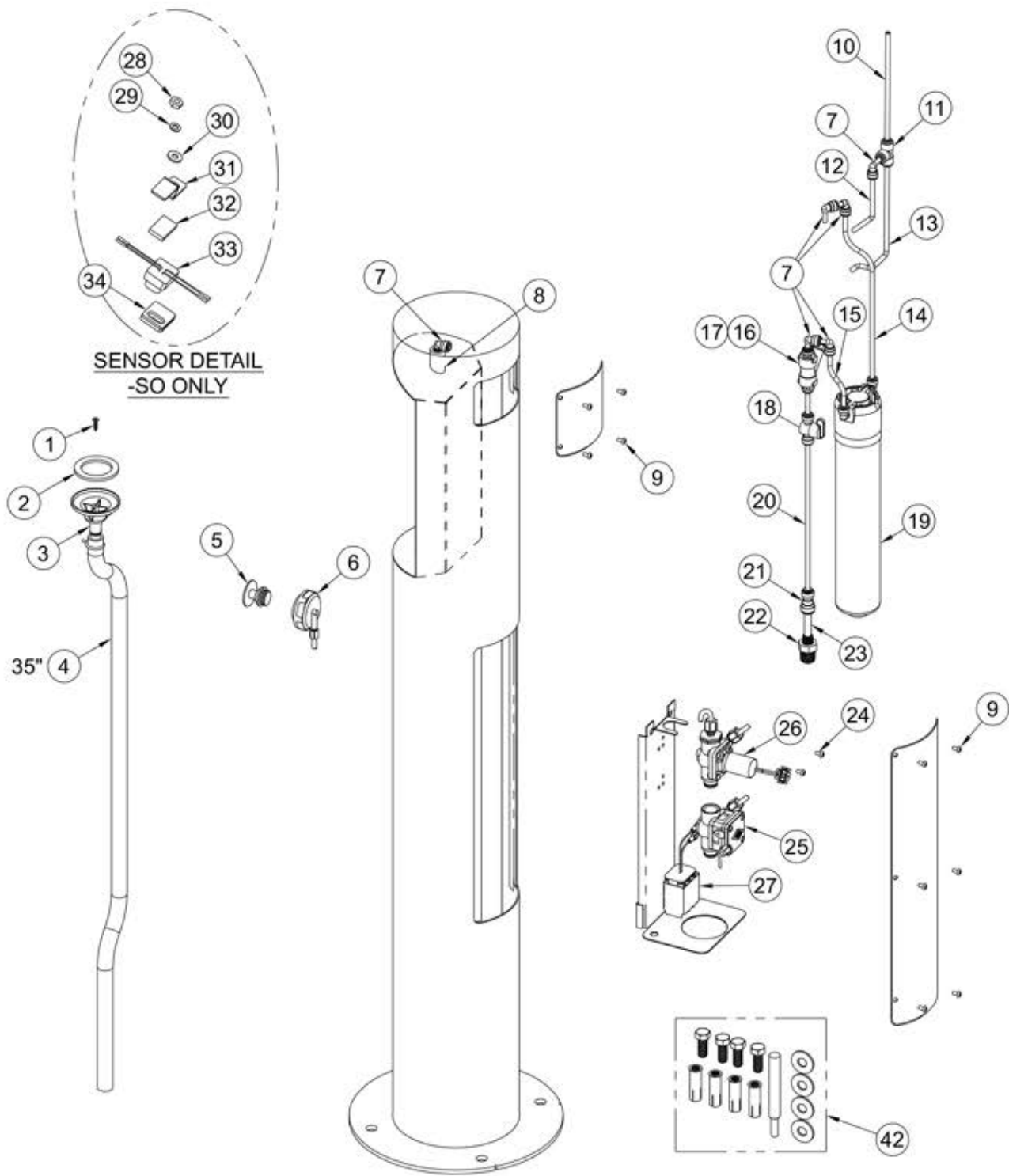
1. Remove the Bottom Access Panel from the back of the unit and pull the Battery Pack out of the Metal Battery Box. Do not disconnect the Wires from the Battery Pack unless necessary.
2. Replace the six (6) Alkaline AA Batteries while observing polarity.
3. Put the Battery Pack back in the Metal Box and test for proper operation. Then re-install the Access Panel.

WIRING DIAGRAM:



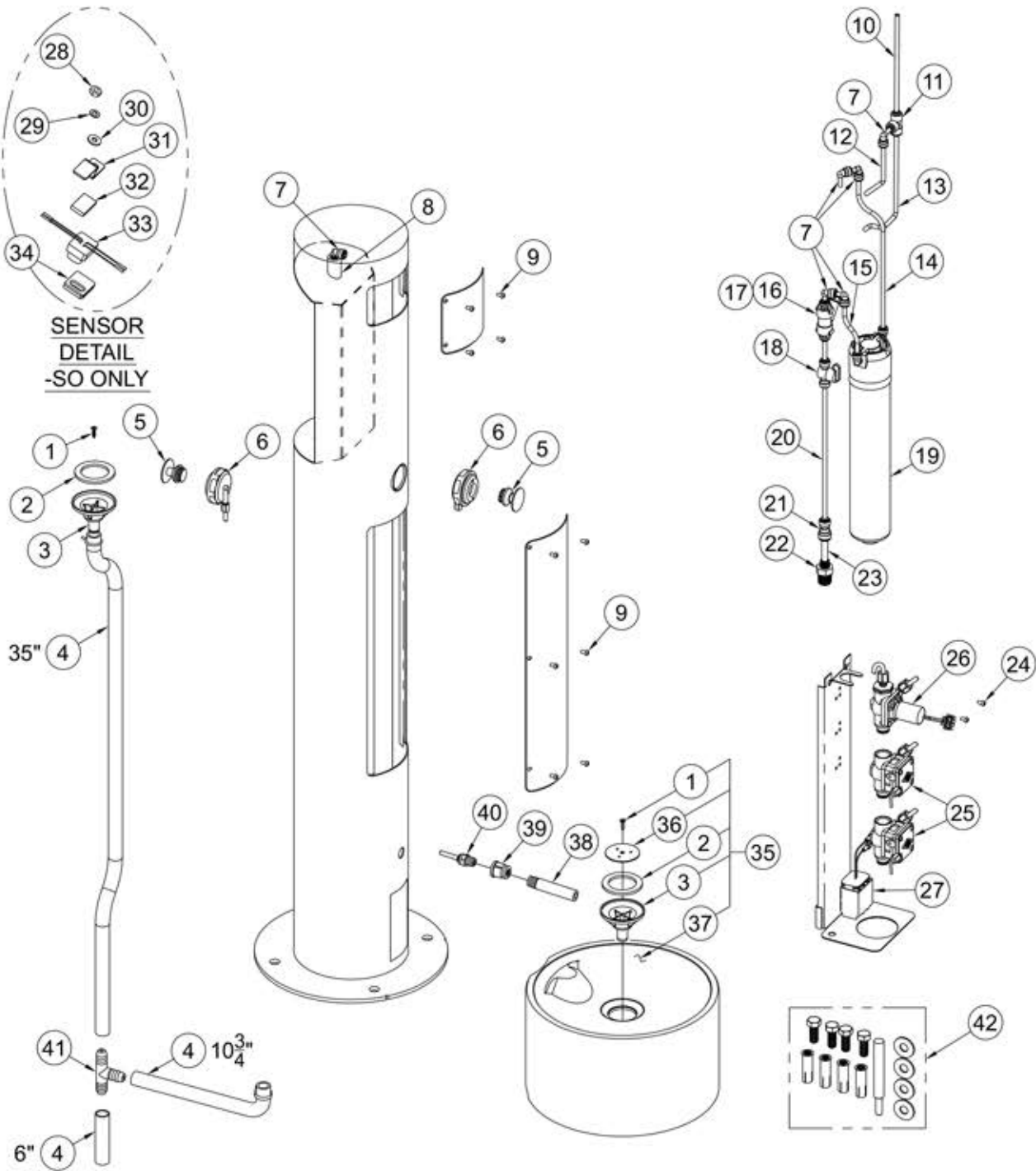
OUTDOOR BOTTLE FILLER PARTS BREAKDOWN DRAWING:

NOTE: See page 11 for table of part numbers corresponding to drawing below.



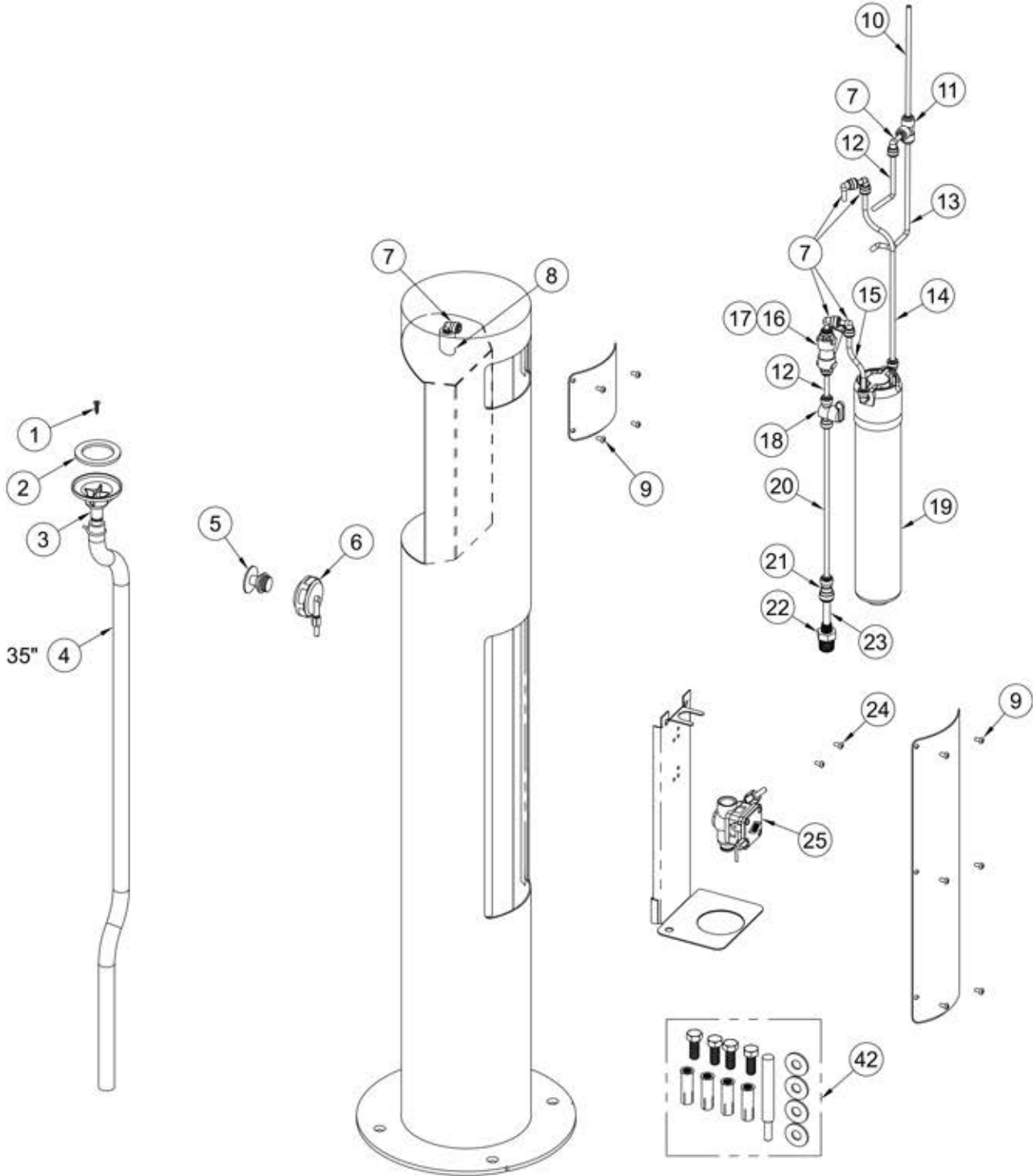
OUTDOOR BOTTLE FILLER w/ PET FOUNTAIN PARTS BREAKDOWN DRAWING:

Note: See page 11 for table of part numbers corresponding to drawing below.



OUTDOOR PUSHBUTTON BOTTLE FILLER PARTS BREAKDOWN DRAWING:

NOTE: See page 11 for table of part numbers corresponding to drawing below.



Outdoor Bottle Filler Breakdown Table:**Note:** See previous page for fixture drawing corresponding to table of parts below.

ITEM #	PART NUMBER	DESCRIPTION
1	0124-033-000	#8-32 SELF TAPPING SCREW
2	7000-006-000	DRAIN GASKET ADAPTER
3	7003-182-000	DRAIN ADAPTER
4	7013-074-199	7/8" O.D. FLEX DRAIN TUBE
5	7002-125-002	FREEZE RESISTANT PUSHBUTTON
6	2566-025-002	SIDE OUTLET PUSHBUTTON ASSEMBLY
	2566-050-002	BACK OUTLET PUSHBUTTON ASSEMBLY
7	1895-709-000	ELBOW, 1/4" PUSH-IN x 1/4" STEM
8	JSMBFW18-001	JG PUSH IN/NEOPERL LAMINAR ADAPT M-OBA4
9	0112-001-000	#10-32 X 3/8" HEX SCREW
10	2169-021-199	1/4" O.D. LLDPE TUBING, BLUE x 21"
11	1895-710-000	UNION TEE, 1/4" PUSH-IN
12	2169-003-199	1/4" O.D. LLDPE TUBING, BLUE x 3"
13	2169-006-199	1/4" O.D. LLDPE TUBING, BLUE x 6"
14	2169-030-199	1/4" O.D. LLDPE TUBING, BLUE x 30"
15	2169-007-199	1/4" O.D. LLDPE TUBING, BLUE x 5"
16	7000-021-000	YS-F "Y" STRAINER, 1/4" NPT
17	1895-125-000	1/4" O.D. x 1/4" NPT PUSH-IN FITTING
18	7000-420-000	1/4 TURN SHUTOFF VALVE
19	7012-313-000	REPLACEMENT FILTER CARTRIDGE
20	2169-017-199	1/4" O.D. LLDPE TUBING, BLUE x 17"
21	1895-123-000	1/4" x 3/8" O.D. TUBE UNION PUSH-IN
22	1895-005-000	3/8" O.D. TUBE x 1/2" NPT MALE CONNECTER
23	2170-002-500	3/8" O.D. LOW DENSITY PE TUBING x 2.5"
24	0112-011-000	#10-32 x 3/8" CENTER REJECT SCREW
25	2570-101-001	REPLACEMENT NON-METERING AIR-TROL VALVE
26	2570-130-001	9-12 VDC SOLENOID OP VALVE ASSEMBLY
27	7013-046-001	6 AA BATTERY PACK
28	0302-003-000	#8-32 HEX NUT
29	6527-108-000	#8 INTERNAL TOOTH LOCK WASHER
30	0331-023-000	#8 STN. STL. FLAT WASHER
31	7013-010-199	NANO SENSOR BRACKET
32	7013-019-199	FOAM TAPE
33	7013-057-002	NANO SPACER ASSEMBLY
34	7013-009-001	NANO SENSOR SPACER
35	7013-049-001	PET FOUNTAIN ASSEMBLY
36	7007-008-99	PET FOUNTAIN STRAINER
37	7013-049-002	PET FOUNTAIN BOWL ASSEMBLY
38	7013-063-199	3/8" STAINLESS STEEL PIPE
39	2361-011-000	3/8" NPT x 1/4" NPT FEMALE REDUCER
40	1895-125-000	1/4" NPT x 1/4" O.D. PUSH-IN CONNECTION
41	4102-250-000	5/8" BARBED TEE
42	7002-021-001	ANCHORING HARDWARE PACKAGE