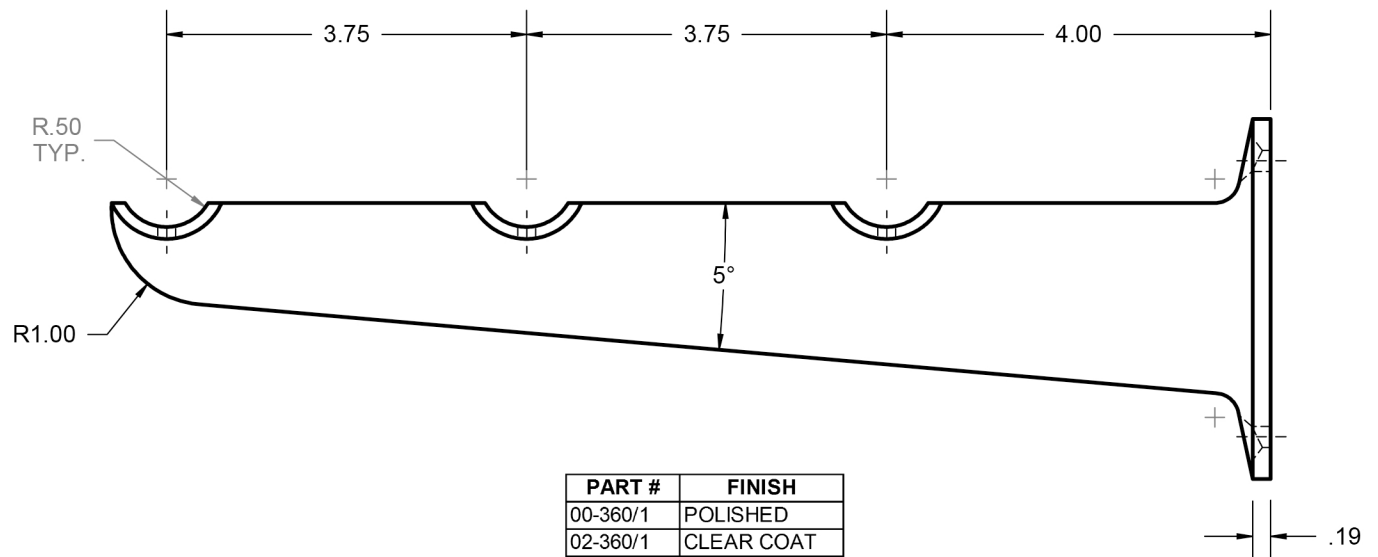
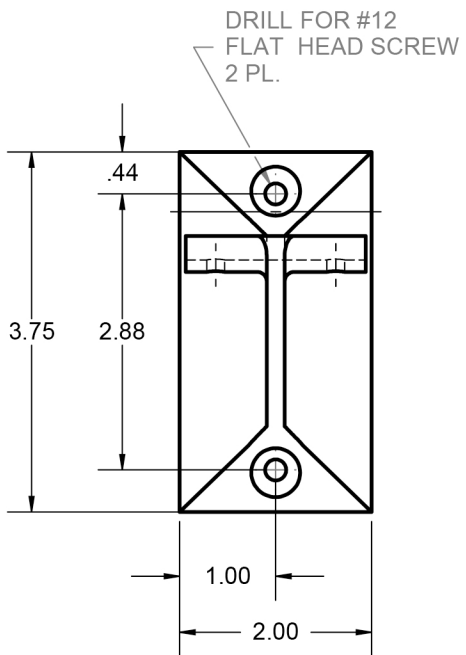
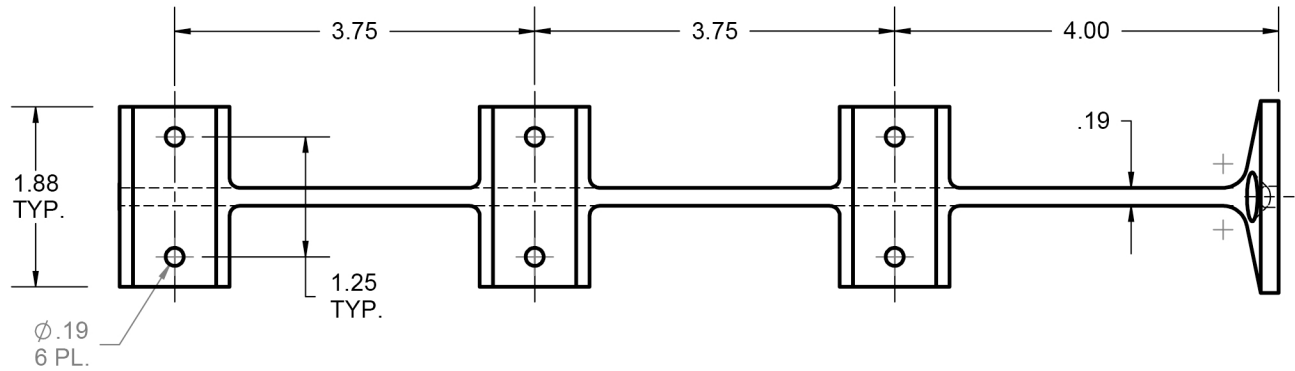
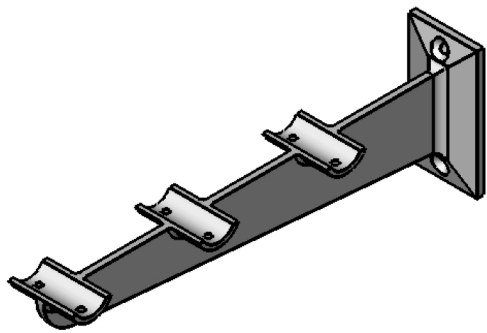


THE INFORMATION CONTAINED IN THIS DRAWING IS THE SOLE PROPERTY OF LAVI INDUSTRIES. ANY REPRODUCTION IN WHOLE OR PART WITHOUT WRITTEN PERMISSION OF LAVI INDUSTRIES IS PROHIBITED.
2010 (c) LAVI INDUSTRIES



| PART # | FINISH |
|----------|------------|
| 00-360/1 | POLISHED |
| 02-360/1 | CLEAR COAT |
| 10-360/1 | CHROME |

XX-360-1

TRAY SLIDE BRACKET, 3 RAILS