

Model # 40SH2-S

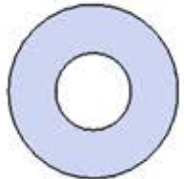
SAFETY WARNINGS & EQUIPMENT INSPECTION

- Owners and installers please note these safety warnings and make use of this checklist on a regular basis.
- Follow installation instructions when erecting equipment.
- Ground surfaces around equipment should be restored as needed. Concrete footings should never be exposed. Surface depth should comply with ASTM and CPSC specifications.
- Check for and repair damage caused by wear or vandalism, a major factor in injury causing situations.
- All protruding bolts should be covered or cut off and finished smooth. Sharp edges on pipes should be capped or removed. Check for bent, broken, or severely worn pipe, and replace.
- All equipment should be free of rust and repainted whenever necessary to deter rusting.
- We provide our customers with layout sheets and installation instructions. Please keep on file the specifications sheet that contains the listing of every part used.
- Never add components not intended for use with this product.
- Regular maintenance is necessary in this and all park and recreational equipment to insure the safety of the user.
- Note: Proper maintenance of equipment requires regular tightening of all bolts, nuts, and setscrews.
- Note: Regular checking of all parts, castings, etc. should be made. If a part is broken or worn, it should be replaced immediately.
- Check to be sure all fittings are tight and that bars and pipes do not move.
- Replace all worn S-hooks. S-hooks must be completely closed. Failure to close S-hooks can result in serious injury to the user. NEVER reuse S-hooks.
- Test for free movement of swing hanger and other moving attached parts.
- Check for worn chains and replace them.
- A soft resilient surface should be placed under all swings extending at least twice the height of the top rail both front and back.

HARDWARE



5/16" x 1"
Machine Bolt



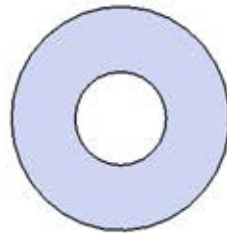
5/16" Washer



5/16" Kep Nut



7/16" x 5-1/2"
Machine Bolt



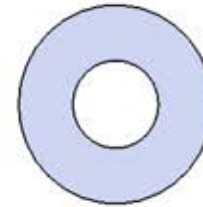
7/16" Washer



7/16" Hex Nut

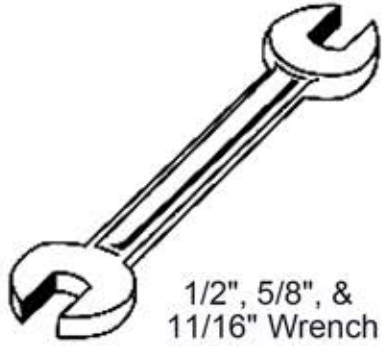


3/8" x 1"
Button Head Bolt



3/8" Washer

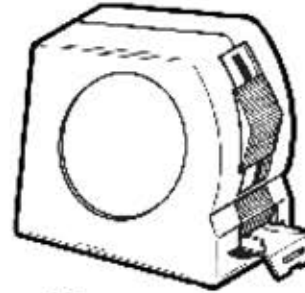
TOOLS REQUIRED



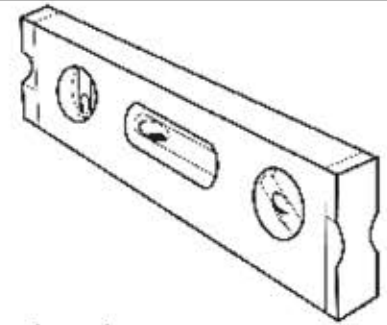
1/2", 5/8", &
11/16" Wrench



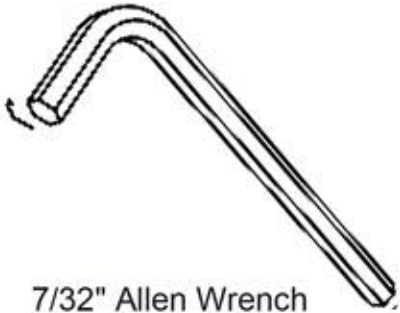
1/2", 5/8", & 11/16"
Socket Wrench



Tape Measure



Level



7/32" Allen Wrench

ULTRA SITE PRODUCT SPECIFICATIONS

40SH2-S KENSINGTON SLAT TABLE W/ 2 SLAT SEATS

Top & Seats: Seat and top slats are fabricated from a 1/4" plate. The understructure /attachment plates are fabricated from 7 gauge flat steel plate. Top is additionally supported to the outer frame with 7 gauge flat steel plate. All electrically MIG welded.

Coating: Steel is sandblasted to near white condition. Coated with zinc rich epoxy primer and top coated with electrostatic powdercoat, oven cured.

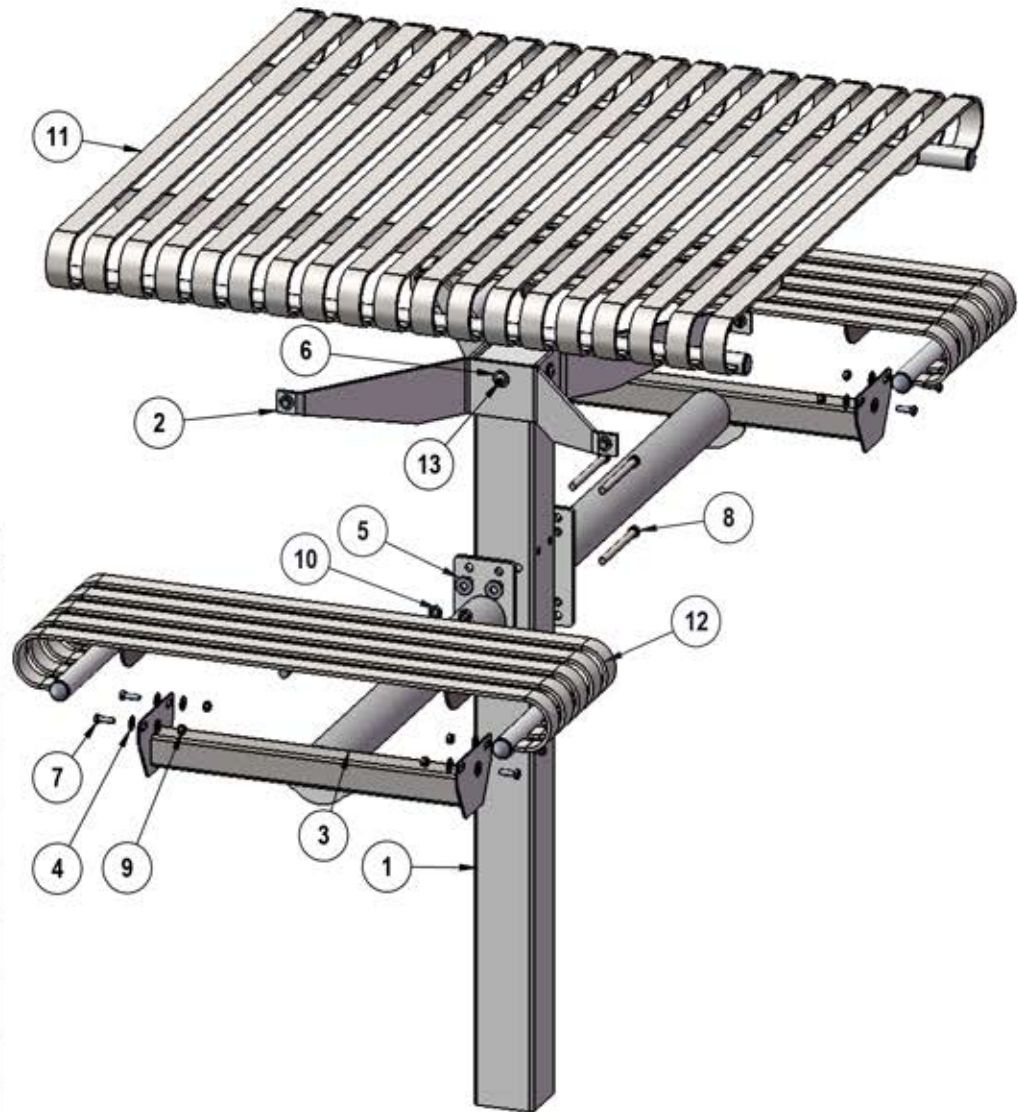
Frame: Main support column is 4"x4"x11 gauge pre-galvanized structural steel tubing. Arms are fabricated from 2-7/8" O.D. x 12 gauge pre-galvanized structural steel tubing welded to 1/4" precision punched plates for attachment to the main column and 2"x2"x3/16" structural steel angle for lateral seat support. Seat attachment points are 10 gauge precision punched tabs. Table top attachment structure is fabricated from 1/4" formed steel. All electrically MIG welded.

Frame Coating: Steel is sandblasted to near white condition. Coated with zinc rich epoxy primer and top coated with electrostatic powdercoat, oven cured.

Hardware: All stainless steel hardware fasteners.

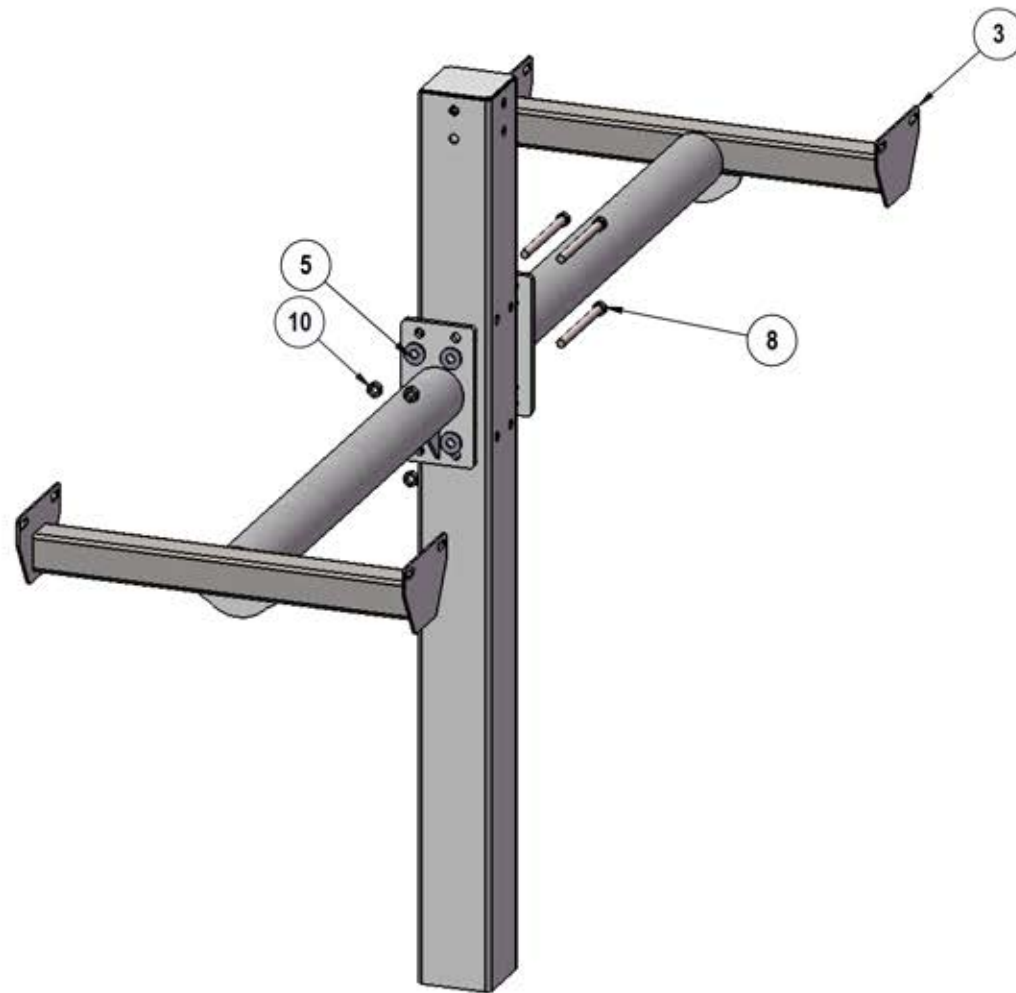
Dimensions: Top is 45-3/8" square x 30" high. Seats are 36" long x 11-1/2" wide x 18" high. Outside to outside dimensions of the 2 seat table is 77-1/4" x 45-3/8".

COMPONENTS



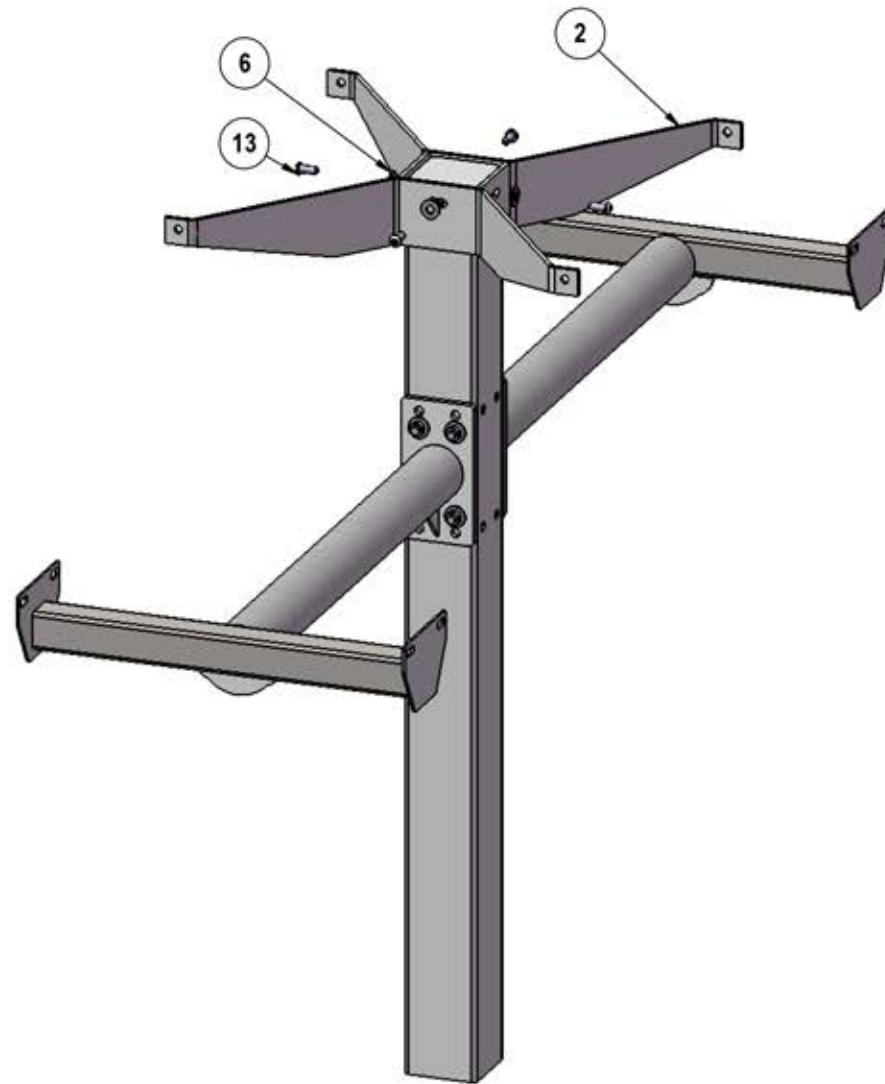
ITEM NO.	PartNo	DESCRIPTION	QTY.
1	01-01-0596	Kensington S Post Asem	1
2	P-01-04-0150	H Bracket	1
3	P-V338-ARM	338 vinyl arm	2
4	33-02-0007	5/16" SS Washer	24
5	33-02-0004	7/16" SS Washer	8
6	33-02-0008	3/8" Flat Washer (SS)	4
7	33-05-0029	5/16" x 1" Machine Bolt (SS)	12
8	33-06-0050	7/16" x 5-1/2" Machine Bolt	4
9	33-03-0012	5/16" Kep Nut (SS)	12
10	33-01-0006	7/16" Hex Nut (SS)	4
11	01-01-0520	Kensington 40 series 46" Slat Top	1
12	01-01-0516	Kensington 40 series 3' Slat Seat	2
13	33-06-0052	3/8"-16 x 1" Button Bolt (SS)	4

STEP 1



Attach the 338 Arms to the Kensington Post Assembly using the specified hardware.

STEP 2



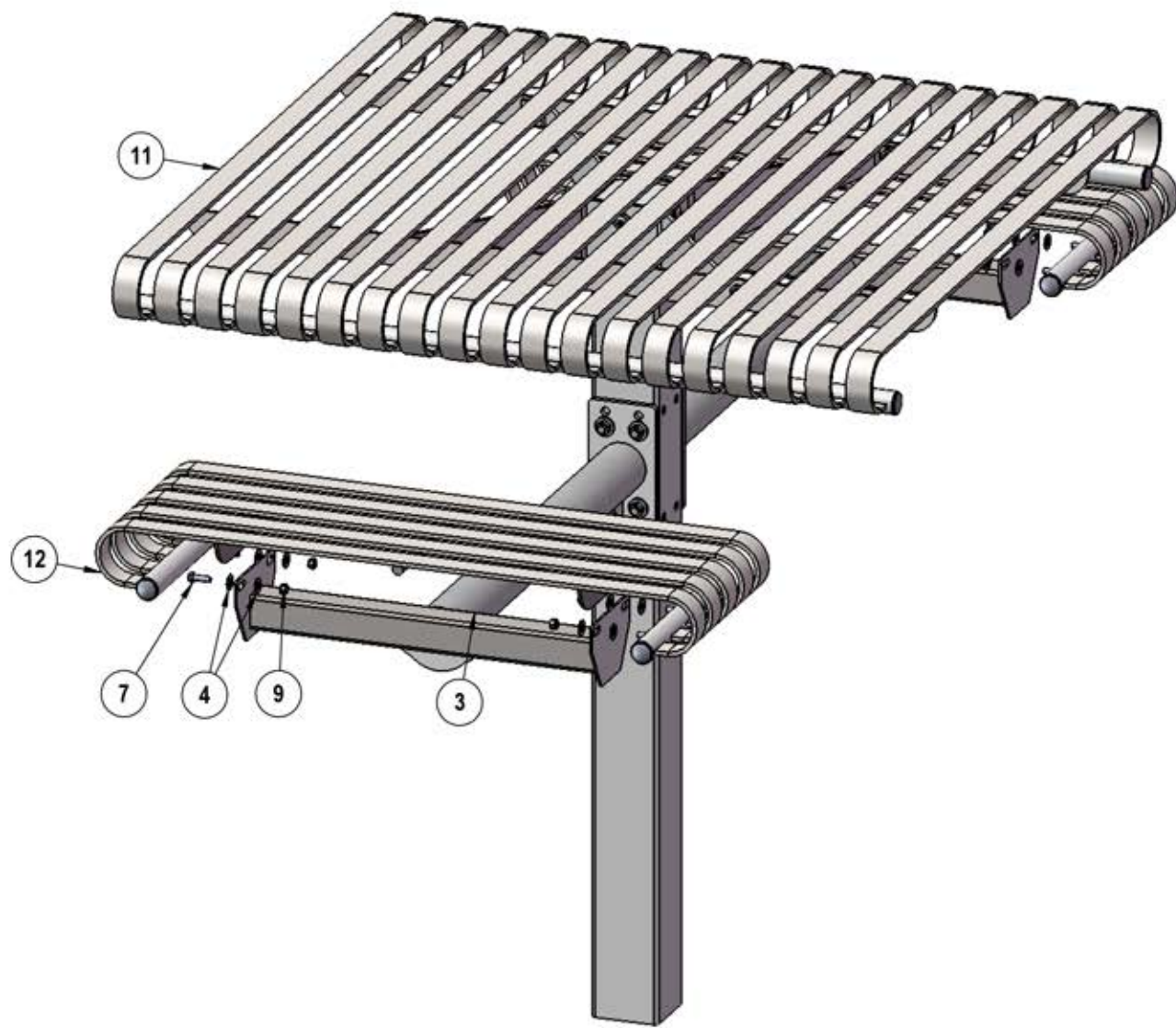
Attach the H Bracket to the Kensington Post Assembly using the specified hardware.

STEP 3



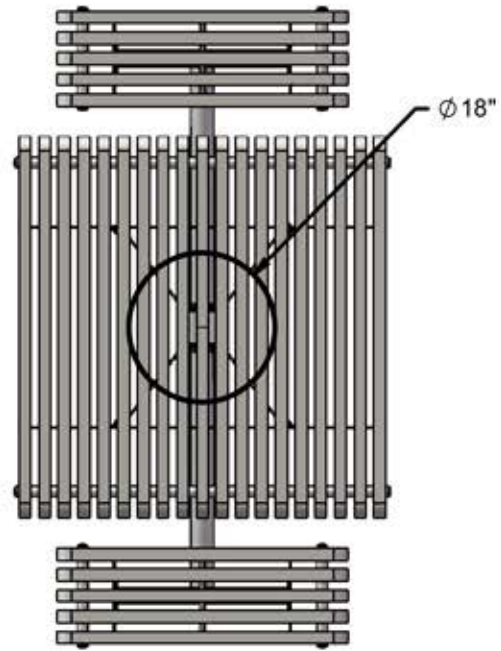
Attach the Kensington 46" Square Table Top to the H Bracket using the specified hardware.

STEP 4

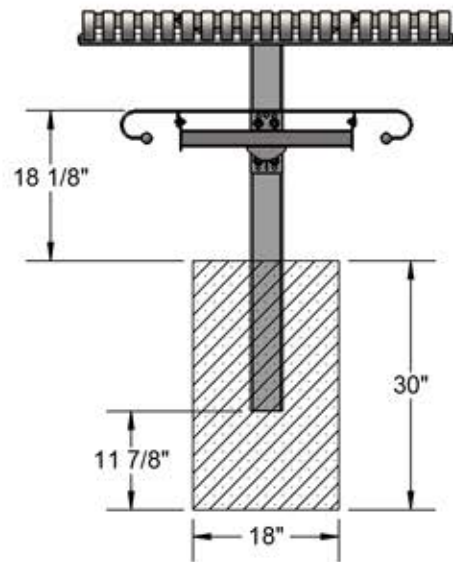


Attach the Kensington 3' Slat Seats to the 338 Arms using the specified hardware.

FOOTING



Estimated Required Concrete:
12 - 50lb Bags of Concrete Mix



OVERALL DIMENSIONS

