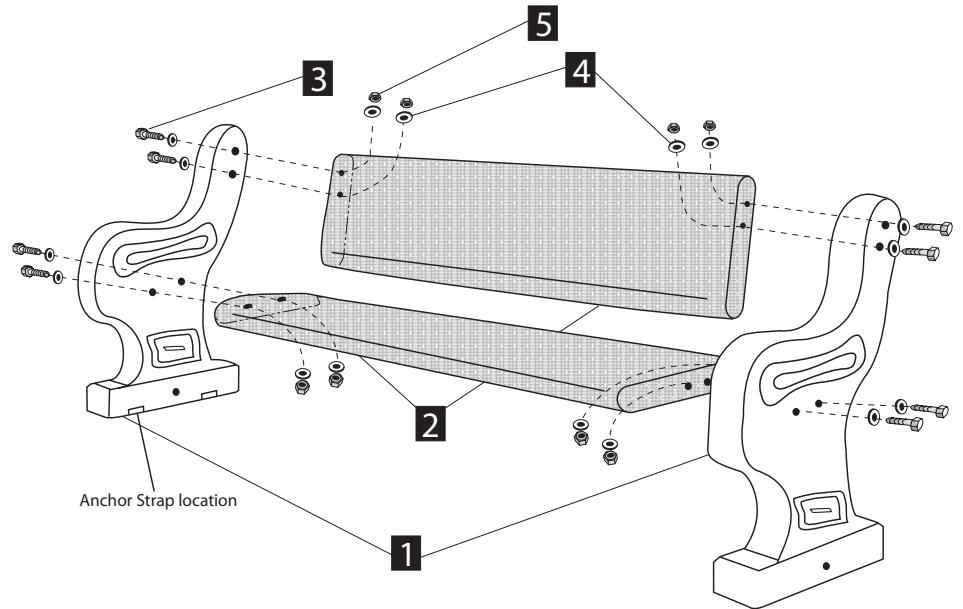




**ASSEMBLY DIAGRAM,
INSTRUCTIONS AND
PARTS LIST FOR THE
TF5961 HERITAGE
BENCH.**



*This assembly diagram depicts the standard Heritage Bench. Parts and quantities will vary for other Heritage Bench systems.

ITEM NO.	DESCRIPTION	QTY
1	Cast concrete bench end	2
2	Metal-Form bench top & back	2
3	3/8"-16 x 4 1/2" Hex head bolt	8
4	3/8" Flat washers	16
5	3/8" Nylon Lock Nuts	8

Total Weight of the Heritage Bench is 490 LBS.

NOTE:

Leave all connections loose until completely assembled. Secure all fasteners in final assembly.

- Size: 62" long x 26" wide x 38" tall overall
- Weight: 490 lbs
- Construction: Panels - 11 Gauge Perforated Steel - Metal-Armor Coated
Framework - 2" Diameter - 12 Gauge Galvanized Tube - Metal-Armor Coating - With U. V. Inhibitors on Panels - Vandal Resistant Security Head Bolts - Baked-On Polyester Powder Coat on Framework - Umbrella Hole
- Standard Features:
- Color Options: Standard Metal-Form Options:
Panel: Yellow - Green - Brown - Red - Blue - Black - Gray
Framework: Gray - Sand - Black - Silver
(Custom colors are available - contact Metal-Form for options)
- Other Options: Permanent Anchoring Kit Available From Metal-Form