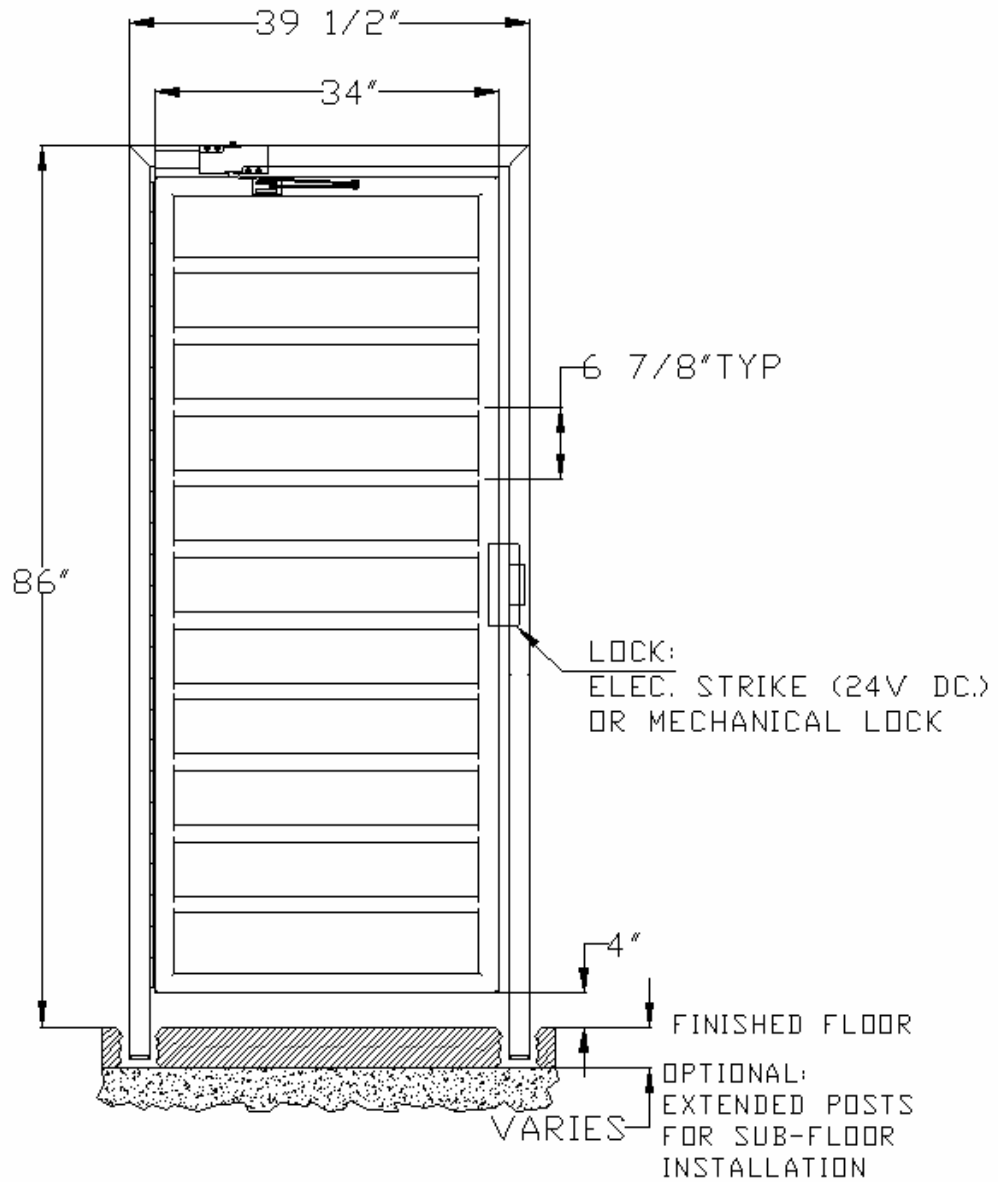


**TOMSED CORP
MODEL THG-51 HANDICAP GATE**



★ MARKSTAAR

★ **MARKSTAAR™**

318 East 8th Street, Post Office Box #189, La Crosse, KS 67548
785-222-2515 / 888-846-2693 www.markstaar.com