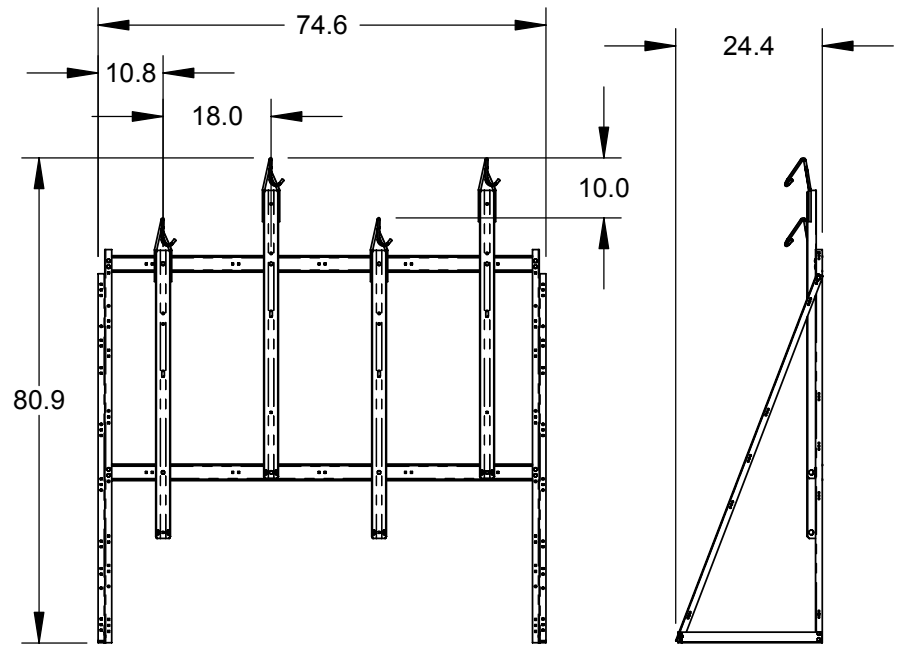


**8140
4-BIKE LOCKING RACK**



**8040
4-BIKE NON-LOCKING RACK**

NOTE:

1. DO NOT SCALE DRAWING.
2. INTALLATION TO BE COMPLETED IN ACCORDANCE WITH MANUFACTURER'S SPECIFICATIONS.
3. BOTH THE 8040 & 8140 CAN BE UPGRADED TO 5 BIKES WITH THE USE OF 6006 OR 6003.



WE BRING CYCLING TO LIFE.

SARIS CYCLING GROUP

5253 VERONA RD., MADISON WI. 53711
1-800-783-7257 / 1-608-274-1702
WWW.SARISPARKING.COM

THE INFORMATION CONTAINED IN THIS DRAWING IS THE SOLE PROPERTY OF SARIS CYCLING GROUP ANY REPRODUCTION IN PART OR WHOLE WITHOUT THE WRITTEN PERMISSION OF SARIS CYCLING GROUP IS PROHIBITED.

TITLE:

8040 / 8140 4-BIKE VERTICAL RACK