



A/J Frame Bike Rack specs

Series Names & Model #'s

J-Frame Bike Racks

— 5ADBK, 8ADBK, 10ADBK, 16ADBK, 20ADBK

A-Frame Bike Racks

— 5JSBK, 5JDBK, 8JSBK, 8JDBK, 10JSBK, 10JDBK, 16JSBK, 16JDBK, 20JSBK, 20JDBK

Product maintenance

Inspect all hardware and fasteners, regularly check that all nuts and bolts are secure. Periodically examine for any signs of vandalism on any of your products thermoplastic surfaces. If any thermoplastic surface is vandalized by spray paint, simply take a rag and a aerosol can of WD40® and wipe the spray paint off. If the thermoplastic surface has any cuts simply take an industrial heat gun to the affected area. For regular cleaning use soap and water.

Thermoplastic Coating

Our outdoor furniture is covered in a copolymer-based thermoplastic powder coating. Thermoplastic is environmentally safe, the coating will never fade, crack, peel, warp, or discolor for the life of the product. Thermoplastic has the best adhesion rate of any other process. This keeps the metal base free of any corrosion possibilities. Thermoplastic is applied at a thickness of 25-30 mils. This allows maximum protection with the best possible surface. Thermoplastic can be easily repaired. Cuts are repaired by heating the affected area with an industrial heat gun. The thermoplastic will rebound itself. The properties of thermoplastic also make spray painting difficult for vandals. Simply wash product with a standard industrial cleaner.

Specifications

General

Galvanized steel support structure. Available in variety of lengths.

Weight will vary base on chosen style.

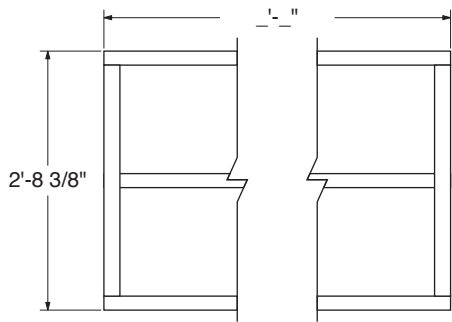
- 5ADBK - Weight: 83 lbs.
- 8ADBK - Weight: 98 lbs.
- 10ADBK - Weight: 126 lbs.
- 16ADBK - Weight: 182 lbs.
- 20ADBK - Weight: 241 lbs.
- 5JSBK - Weight: 58 lbs.
- 5JDBK - Weight: 74 lbs.
- 8JSBK - Weight: 72 lbs.
- 8JDBK - Weight: 93 lbs.
- 10JSBK - Weight: 92 lbs.
- 10JDBK - Weight: 122 lbs.
- 16JSBK - Weight: 131 lbs.
- 16JDBK - Weight: 174 lbs.
- 20JSBK - Weight: 174 lbs.
- 20JDBK - Weight: 234 lbs.

Check for any damaged or missing parts or if you have problems assembling your furniture / equipment please call our customer service center.

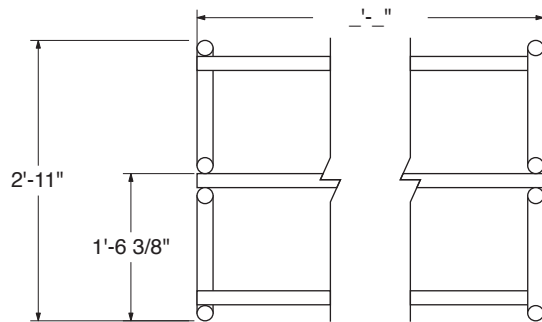
A-Frame Bike Racks

J-Frame Bike Racks

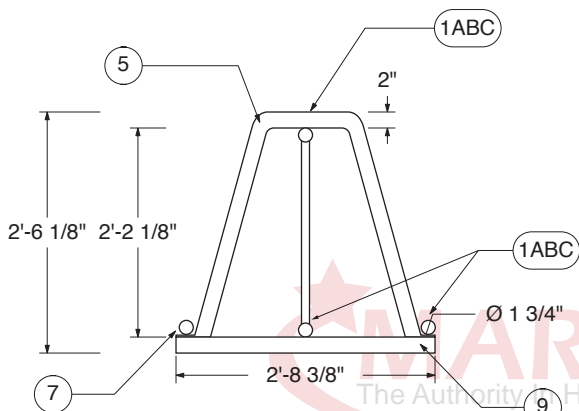
Top view



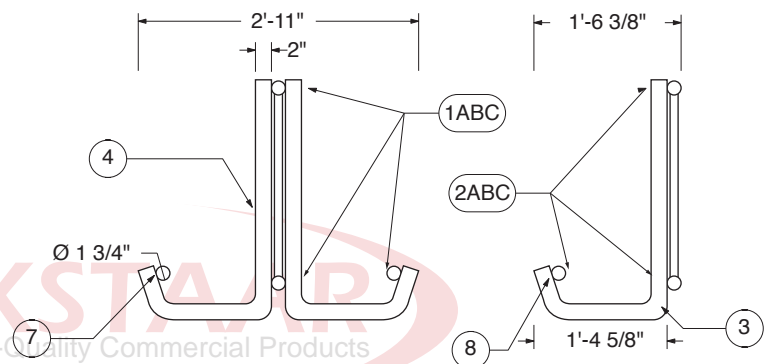
Top view



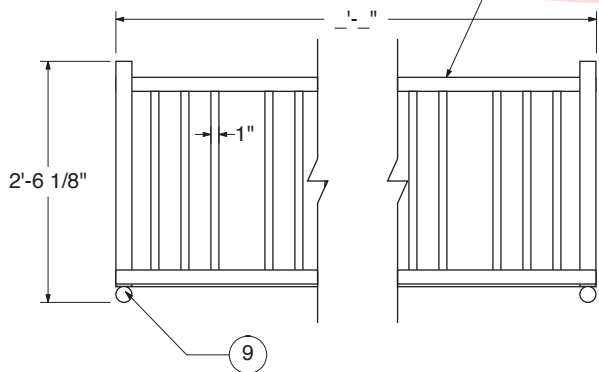
Front View



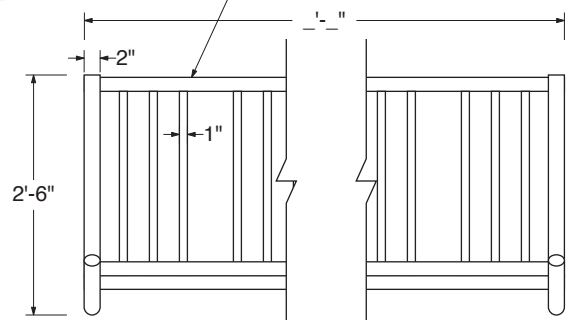
Front View



Side view



Side view

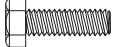




Available Styles

Quantities (per bench)

Hardware

1A - 5/16" Hex head bolts	- qty 8
1B - 5/16" Washer	- qty 16
1C - 5/16" Nut	- qty 8
2A - (J-frame single) 5/16" Hex head bolts	- qty 6
2B - (J-frame single) 5/16" Washer	- qty 12
2C - (J-frame single) 5/16" Nut	- qty 6
3 - J supports single	- qty 2
4 - J supports double	- qty 4
5 - A supports	- qty 2
6 - Inside bike brace	- qty 1
7 - Outside support braces	- qty 2
8 - Outside support brace single	- qty 1
9 - (A-frame) ground supports	- qty 2

Ⓐ 5/16" Hex head bolts	
Ⓑ 5/16" Washer	
Ⓒ 5/16" Nut	

Assembly Instructions

- Standard Expanded Metal Picnic Table — T6XPP, T6XPSM, T6XPIG, T8XPP, T8XPSM, T8XPIG, T8HDP, T10XPP, T10XPSM, T10XPIG, T12XPP, T12XPSM, T12XPIG
- Standard Perforated Metal Picnic Table — T6XPP-Perf, T6XPSM-Perf, T6XPIG-Perf, T8XPP-Perf, T8XPSM-Perf, T8XPIG-Perf, T8HDP-Perf, T10XPP-Perf, T10XPSM-Perf, T10XPIG-Perf, T12XPP-Perf, T12XPSM-Perf, T12XPIG-Perf

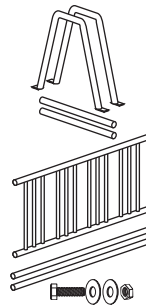
Note: Work 1 one side at a time.

Do not tightly secure bolts until product is fully assembled.

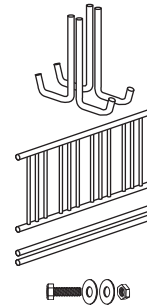
Step 1:

Check that all hardware, Inside bike brace, A or J supports, and outside braces rods are accounted for. Total parts for the assembly of one A-frame bike rack. Two A supports, two brace rod, one inside bike brace, and two ground supports. Total parts for the assembly of one J-frame double bike rack four J supports, two brace rod, one inside bike brace. Hardware for both A and J double is the same eight 5/16" Hex Head Bolts, nuts, and sixteen washers. Total parts for the assembly of one J-frame double bike rack two J supports, one brace rod, one inside bike brace, six 5/16" Hex Head Bolts, nuts, and twelve washers.

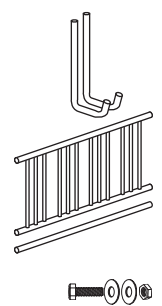
A-Frame



J-Frame Double



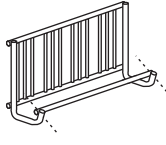
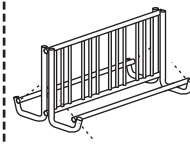
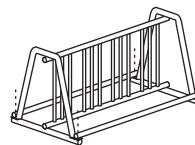
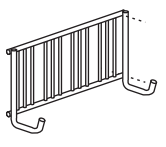
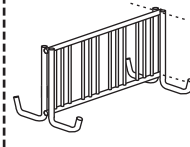
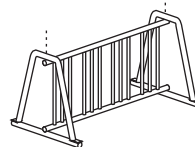
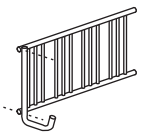
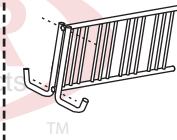
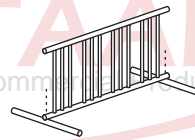
J-Frame Single



Step 2:

To assembly the A-frame bike rack start by placing the two ground supports on the ground then take the inside bike brace and line up the holes in the center of the ground supports. After bolting the ground supports and the inside bike rack get the A support and place it over the inside bike brace and bolt it the inside bike brace. With the frame set attach the outside support braces to the A-frame and the ground supports.

To assembly the J-frame Double bike rack start by placing one J supports on one side of inside bike brace and another J support on the other, now line up the holes at the top and bottom of the inside bike rack. After bolting the J supports and the inside bike rack on one side, then repeat on the other side. With the frame set attach the outside support braces to the J-frame. Assembly of the single J-frame is the same minus the mirrored J supports and outside support brace.



Step 3:

After all bolts are in place, make sure the bike rack is level before tightening all of the bolts in the same progression that you started with. After all bolts are tightened enjoy your new bike rack.

