

THIS DOCUMENT IS TRUE AND CORRECT AT TIME OF PUBLICATION. CONTINUED PRODUCT IMPROVEMENTS MAKE SPECIFICATIONS AND MEASUREMENTS SUBJECT TO CHANGE WITHOUT NOTICE.

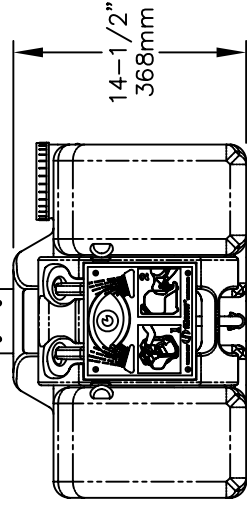
DO NOT EXCEED WATER FILL LINE. REFER TO INSTALLATION INSTRUCTIONS IN "OPERATION AND MAINTENANCE MANUAL" FOR PROPER FILLING PROCEDURES.

2X 1/4" MOUNTING HARDWARE (NOT SUPPLIED)

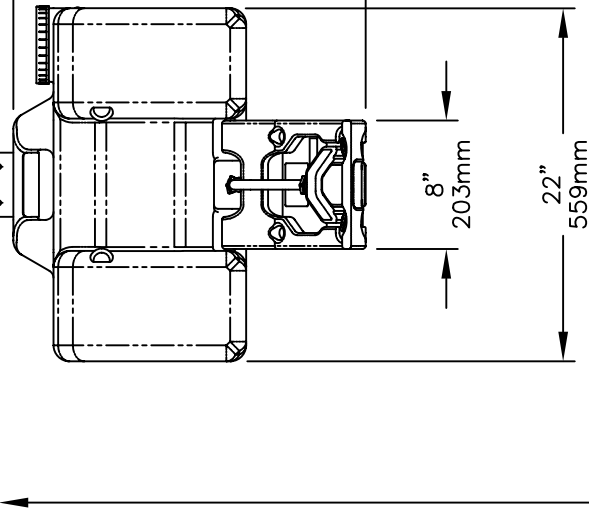
2-1/4" 57mm

MOUNTING BRACKET (SUPPLIED)

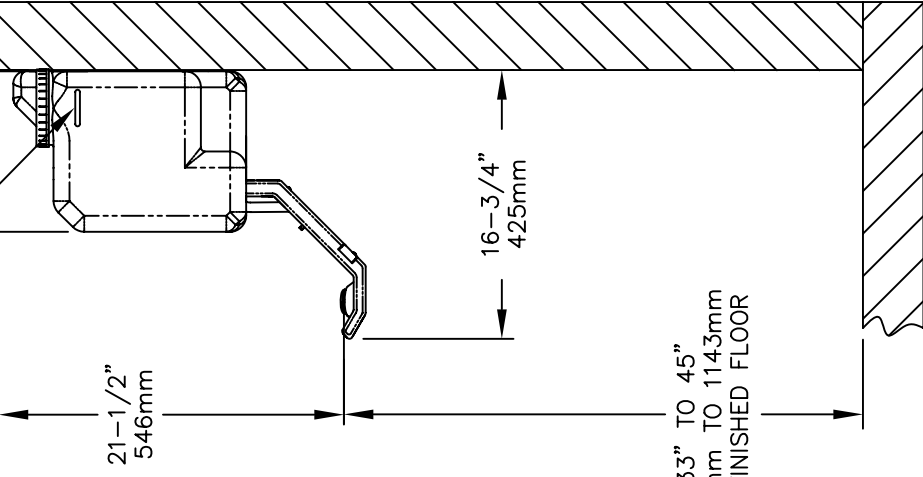
2X 5/16" 7.9mm



STAND BY "OFF" POSITION



ACTIVE "ON" POSITION



NOTES:

1. UNIT MUST BE LEVEL FRONT TO BACK AND SIDE TO SIDE.
2. DIMENSIONS MAY VARY BY ± 1/2" [12.7mm].

318 East 8th Street | PO Box #189
 La Crosse, KS | 67548
 Ph: 785-222-2515 | TF: 888-846-2693
 Fax: 866-436-7601



EQ. NO.	REVISED BY	DATE	MODEL(S)
ECN: 3952	JHM	05/19/04	7501 PORTABLE GRAVITY EYEWASH
DRAWN	DATE	INFO	FAV DOC # 27501
CTM	05/19/04	SCALE: 1:12	DRAWING TYPE: INSTALLATION/FABRICK
APPROVED:	DATE	SCALE:	1:12
REV. NUMBER	DATE	REV. NUMBER	DATE
15153A00	05/19/04	15153A00	05/19/04
SIZE: A	SHT. 1	OF 1	