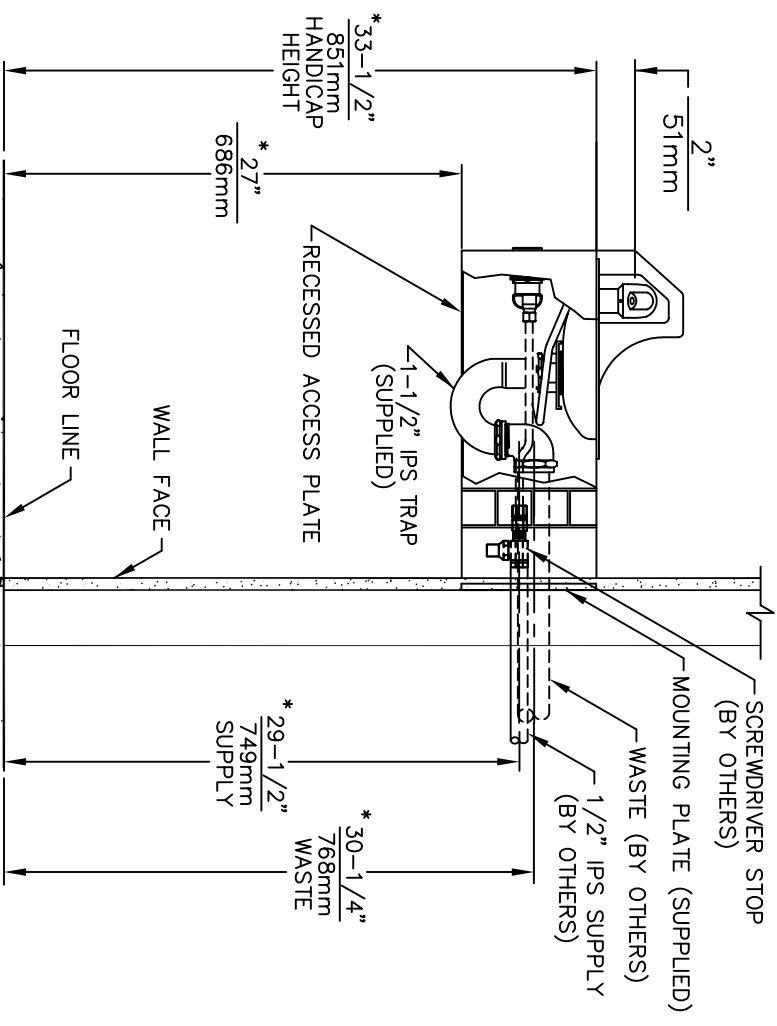
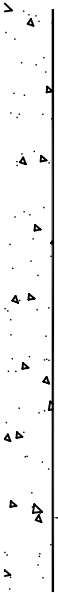
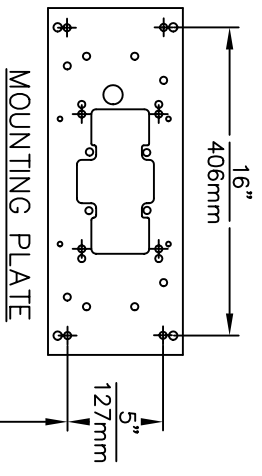
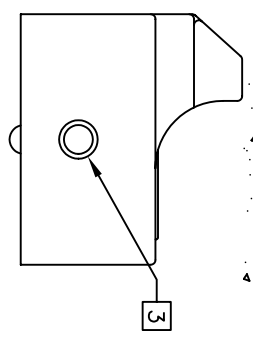
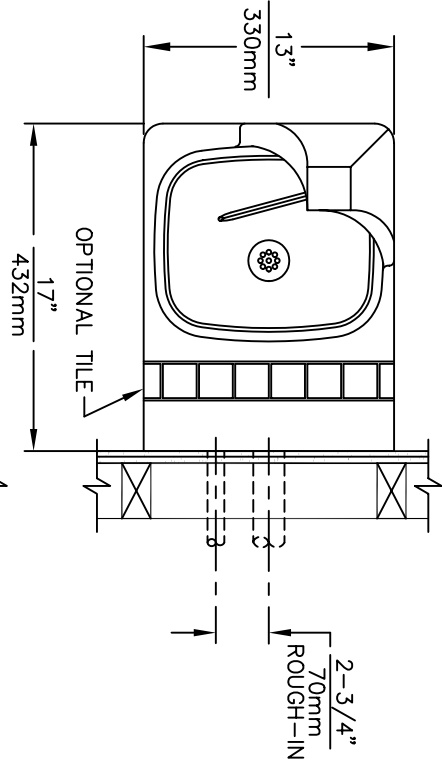


MOUNTING DETAIL



NOTES:

1. HOLD ROUGH-IN DIMENSIONS $\pm 1/4"$ (6.4mm).
2. WHEN INSTALLING THIS UNIT, LOCAL, STATE OR FEDERAL CODES SHOULD BE ADHERED TO. FOR INSTALLATION HEIGHTS OTHER THAN SHOWN, DIMENSIONS MARKED (*) MUST BE ADJUSTED ACCORDINGLY.
3. REFER TO 5874/VK5874 OPERATION AND MAINTENANCE MANUAL FOR PUSH BUTTON AND VALVE INSTALLATION/MAINTENANCE INSTRUCTIONS.

MARKSTAAR
The Industry's High-Quality Commercial Products

318 East 8th Street | Post Office Box #1891 La Crosse, KS | 67548
Ph: 785-222-2515 | TF: 888-846-2693 | TF Fax: 866-436-7601

FORM NO. 1047	MODEL(S):	1047 WALL MOUNTED DRINKING FTN.
DATE: 09/92	SCALE: 1/8"	INSTALLATION/FABRICATION
APPROVER:	DATE:	SCALE:
DESIGNER:	DATE:	SCALE:
DATE:	DATE:	SCALE:

FORM NO. 10390C00
REV. 02/07/6418.D
10390C00 1/3
SIZE: A 1 SHT. 1 OF 1