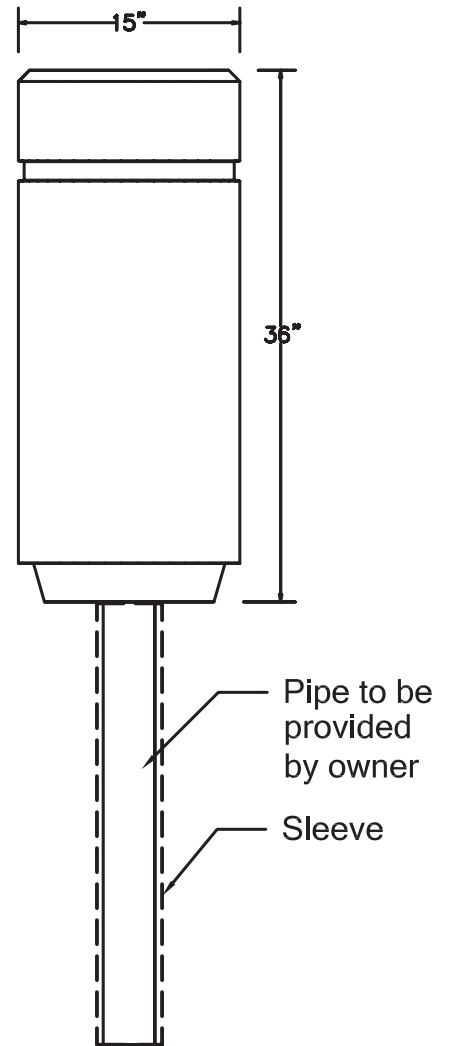
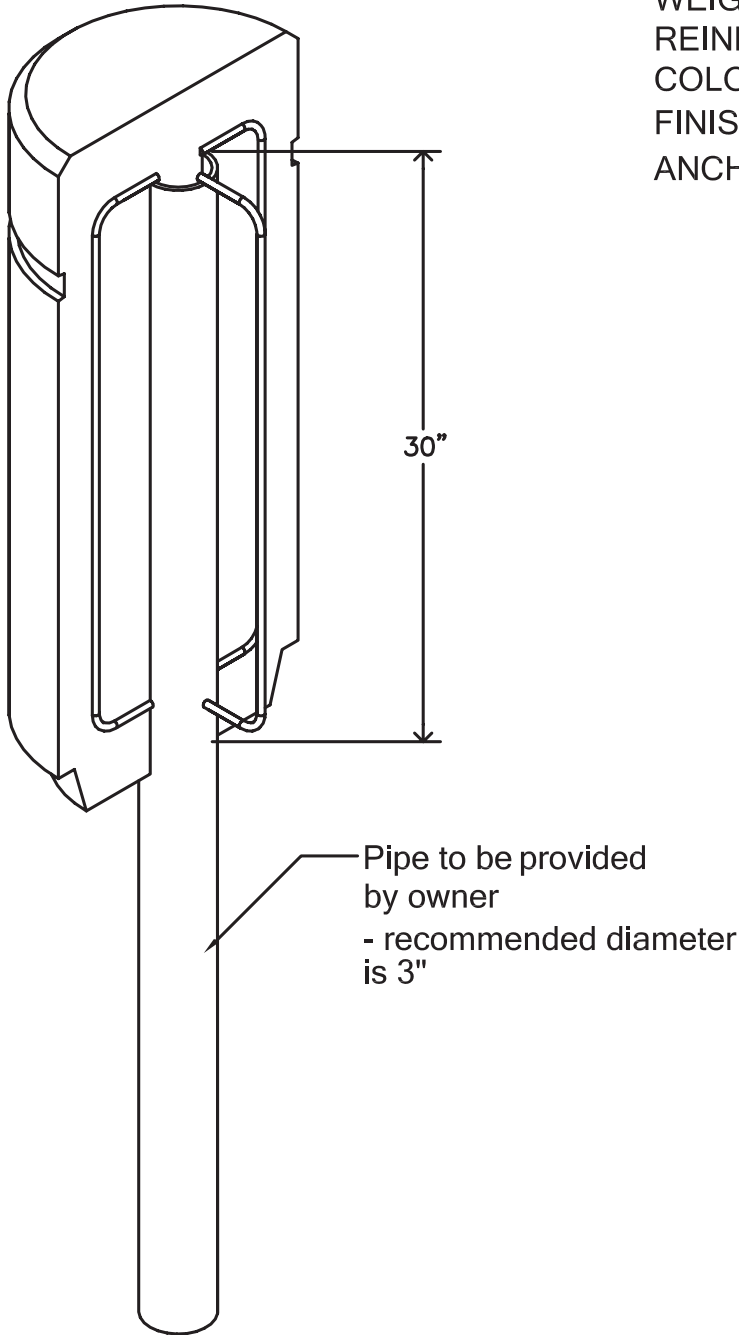


**MODEL:** Bollard  
**WEIGHT:** 545 lbs.  
**REINFORCING:** Welded rebar  
**COLOR:** Riverrock, limestone, quartzite  
**FINISH:** Exposed aggregate, smooth  
**ANCHORING:** Steel sleeve with 3-1/2" inside diameter set in concrete below surface



318 East 8th Street | P.O. Box #189 | La Crosse, KS 67548  
 Ph: 785-222-2515 | TF: 888-846-2693 | Fax: 866-436-7601