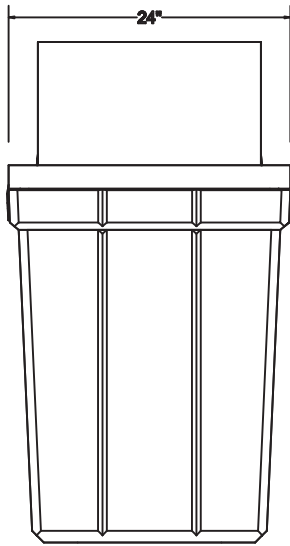
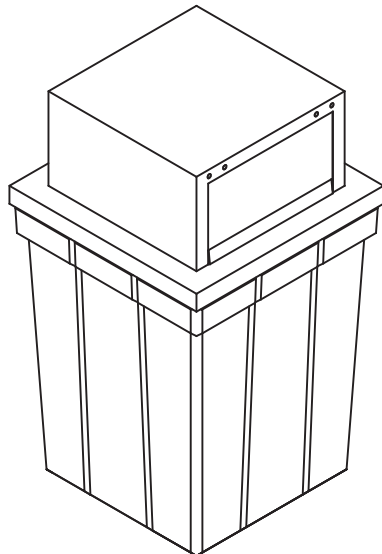


Front view



Side View



Isometric view

MODEL:	TR 40 PD
WEIGHT:	370 lbs
REINFORCING:	Welded rebar
CAPACITY:	40 gal.
OPTIONS:	variety of tops available



318 East 8th Street | P.O. Box #189 | La Crosse, KS 67548
Ph: 785-222-2515 | TF: 888-846-2693 | Fax: 866-436-7601