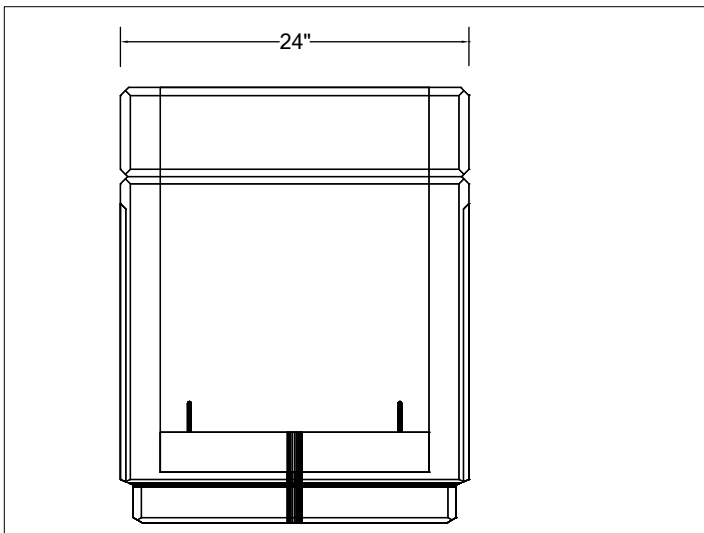
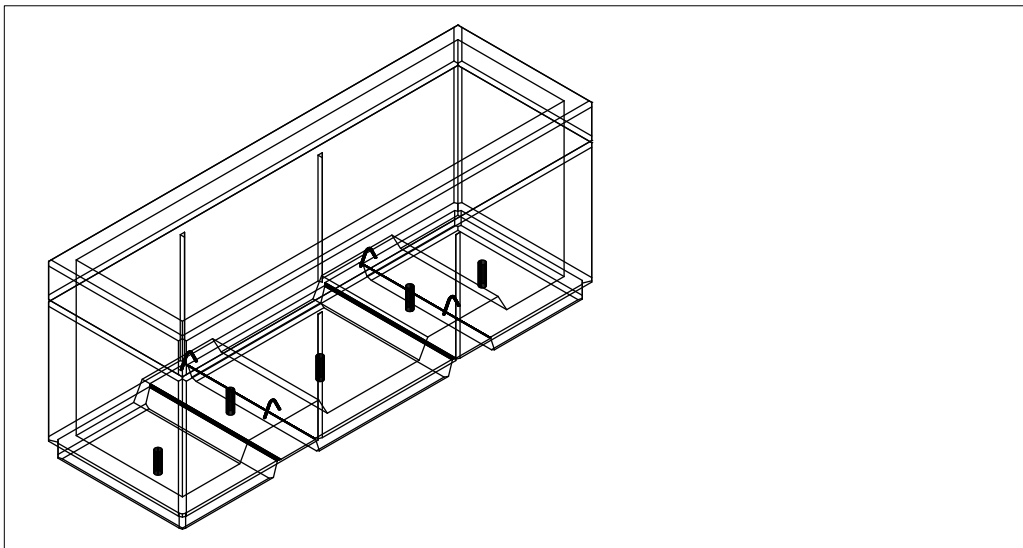


MODEL: P7230  
WEIGHT: 1525 lbs.  
REINFORCING: welded rebar  
COLOR: riverrock,  
limestone,  
quartzite  
FINISH: smooth,  
burlap,



exposed aggregate



318 East 8th Street | P.O. Box #189 | La Crosse, KS 67548  
Ph: 785-222-2515 | TF: 888-846-2693 | Fax: 866-436-7601