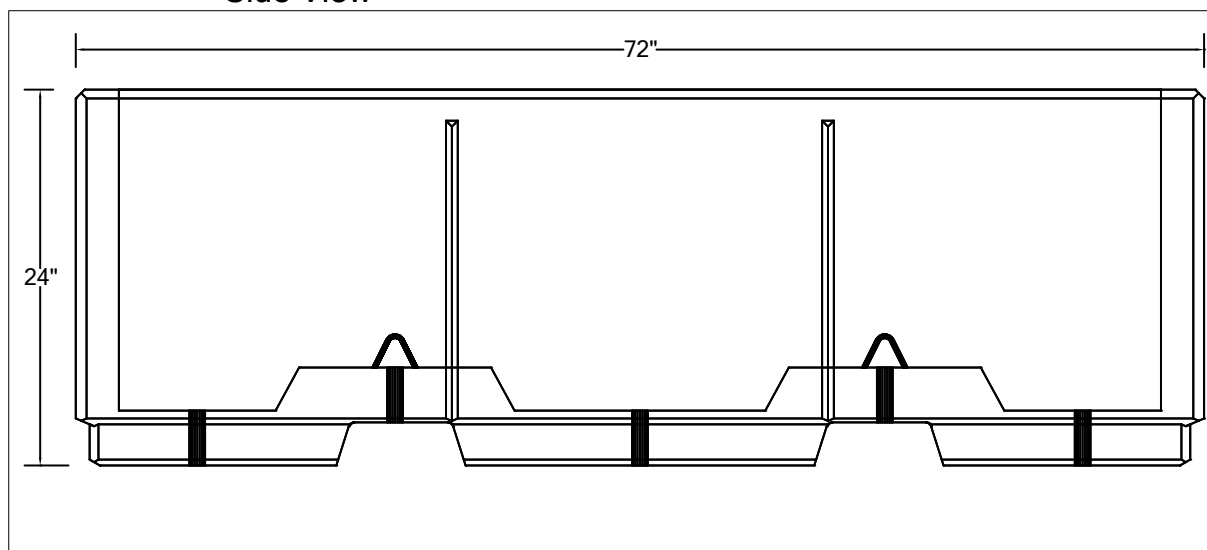


MODEL: P7224
WEIGHT: 1480 lbs
REINFORCING: welded rebar
COLOR: riverrock,
limestone,quartzite
FINISH: smooth,
burlap,

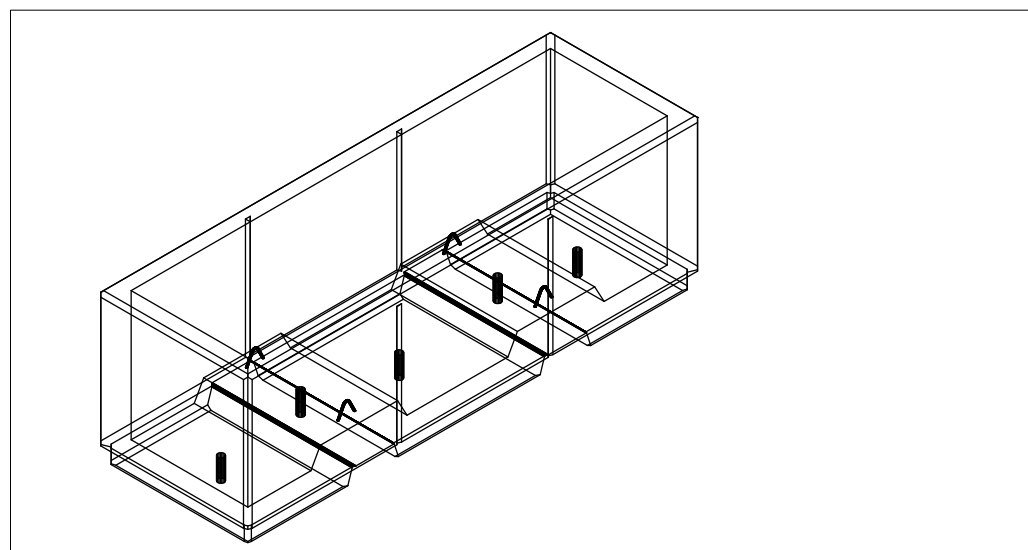
exposed aggregate
OPTIONS: this planter
available in

different lengths and heights

Side View



Front view



318 East 8th Street | P.O. Box #189 | La Crosse, KS 67548
Ph: 785-222-2515 | TF: 888-846-2693 | Fax: 866-436-7601