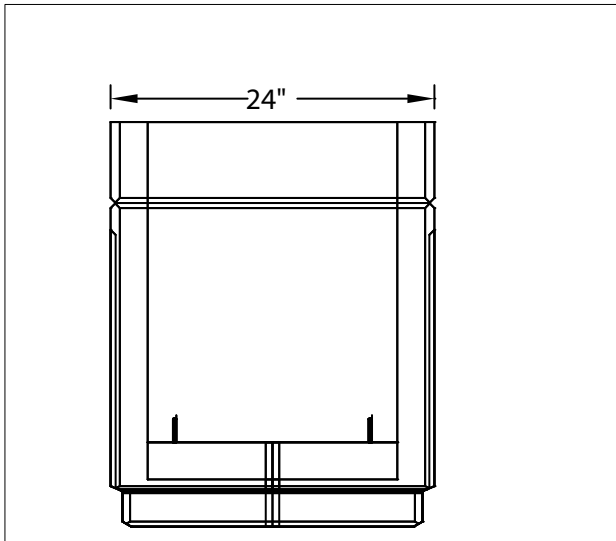
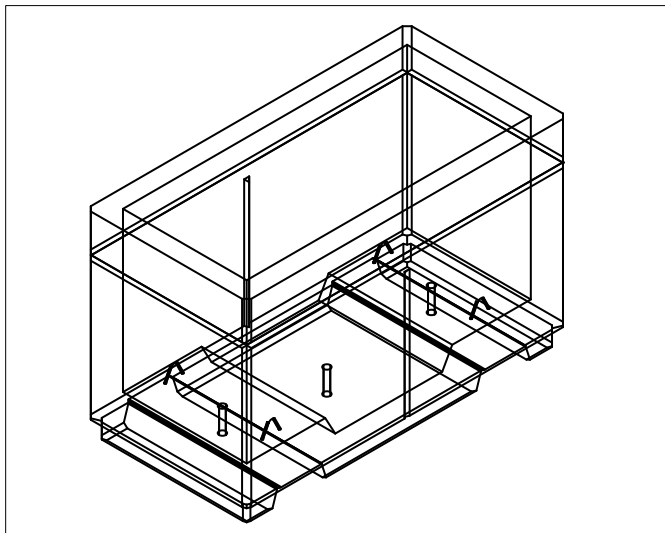


Front View

MODEL: P4830
WEIGHT: 1100 lbs.
REINFORCING: welded rebar
COLOR: riverrock, limestone,
quartzite
FINISH: smooth, burlap,
exposed aggregate
OPTIONS: this planter available in
different lengths and
heights



Side View



Isometric View



318 East 8th Street | P.O. Box #189 | La Crosse, KS 67548
Ph: 785-222-2515 | TF: 888-846-2693 | Fax: 866-436-7601