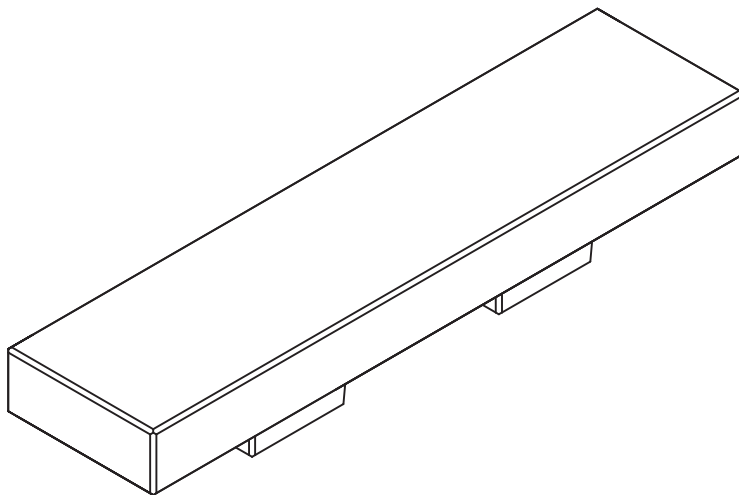
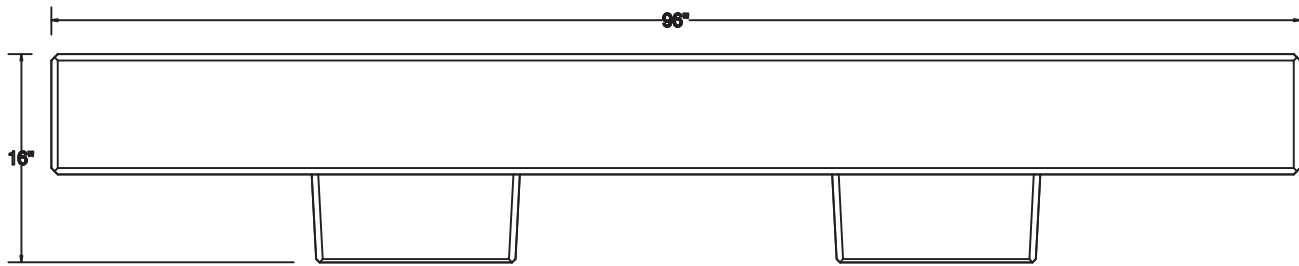


MODEL: MMB96
WEIGHT: 1960 lbs
REINFORCING: welded rebar
COLOR: riverrock,
limestone, quartzite
FINISH: exposed
aggregate
OPTIONS: available with
plaque



318 East 8th Street | P.O. Box #189 | La Crosse, KS 67548
Ph: 785-222-2515 | TF: 888-846-2693 | Fax: 866-436-7601