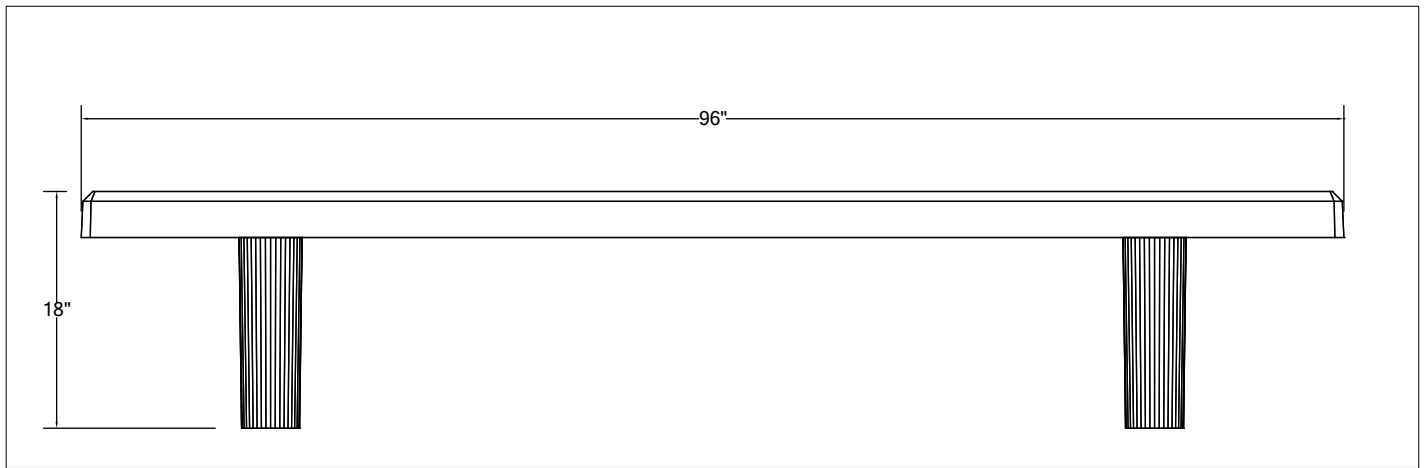
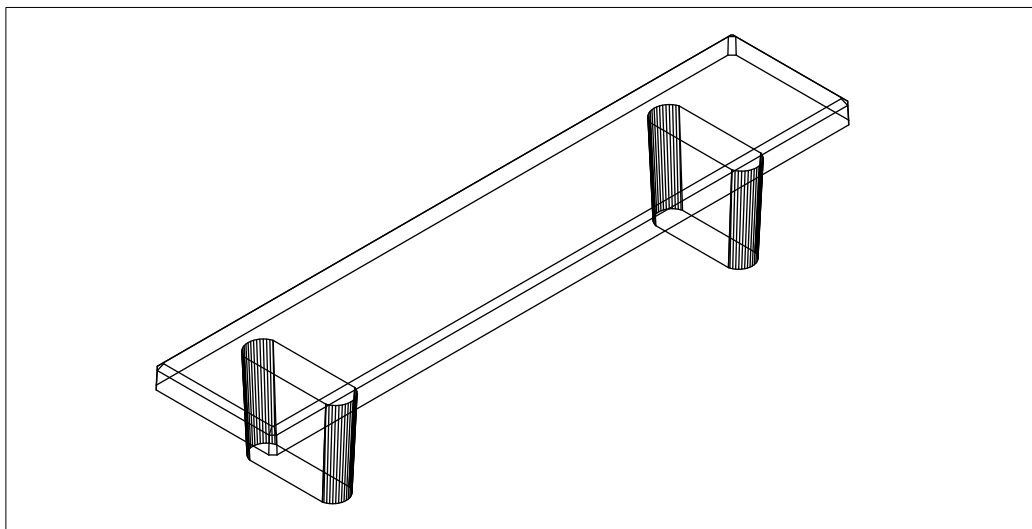


Side View

MODEL: B9620
 WEIGHT: 750 lbs
 REINFORCING: welded rebar
 COLOR: riverrock,
 limestone,
 quartzite
 FINISH: exposed
 aggregate,
 smooth, burlap



Front view



Isometric view

