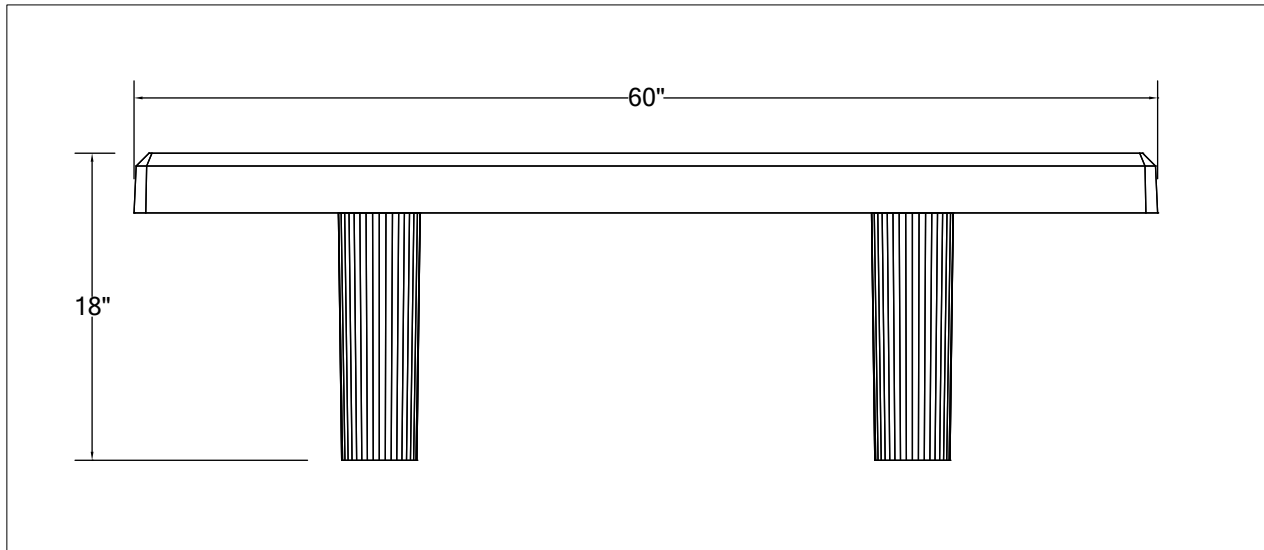
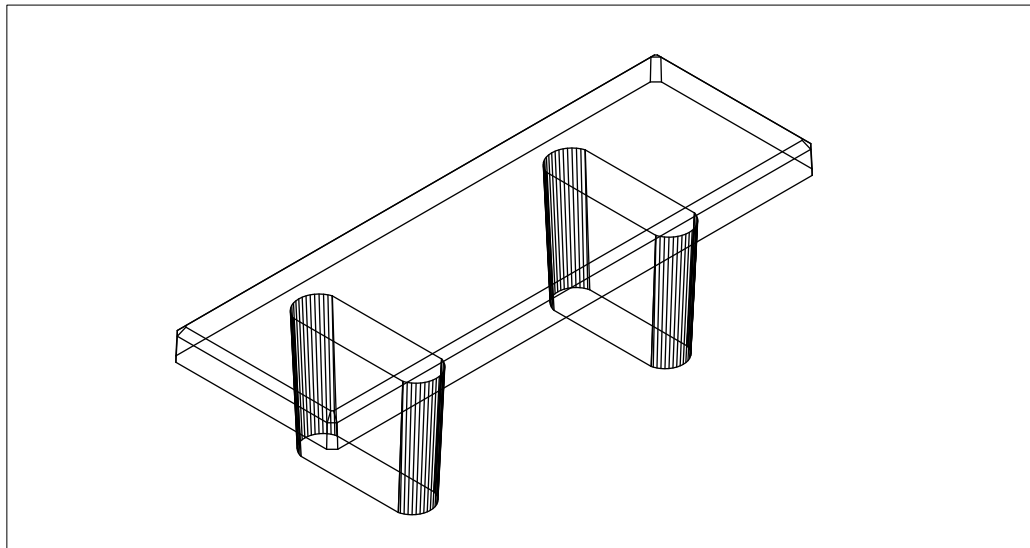


Front view

MODEL: B6020  
WEIGHT: 530 lbs  
REINFORCING: welded rebar  
COLOR: riverrock,  
limestone,  
quartzite  
FINISH: exposed  
aggregate,  
smooth, burlap



Side View



Isometric view

