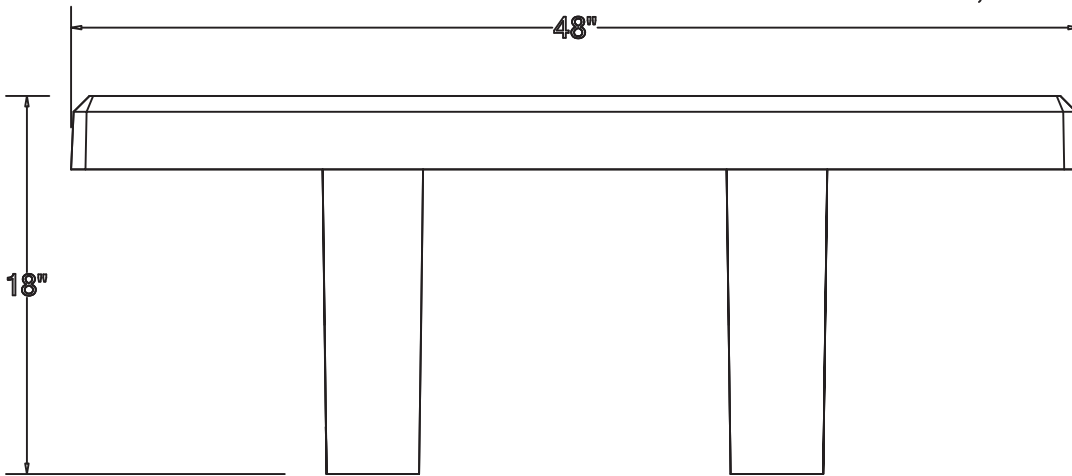


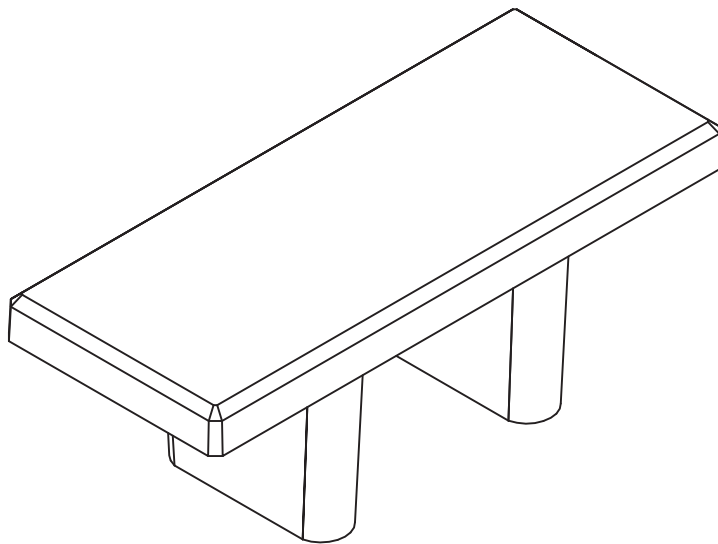
Side View

MODEL: B4820
 WEIGHT: 455 lbs
 REINFORCING: welded rebar
 COLOR: limestone,
 quartzite
 FINISH: exposed aggregate

smooth, burlap



Front view



Isometric view

